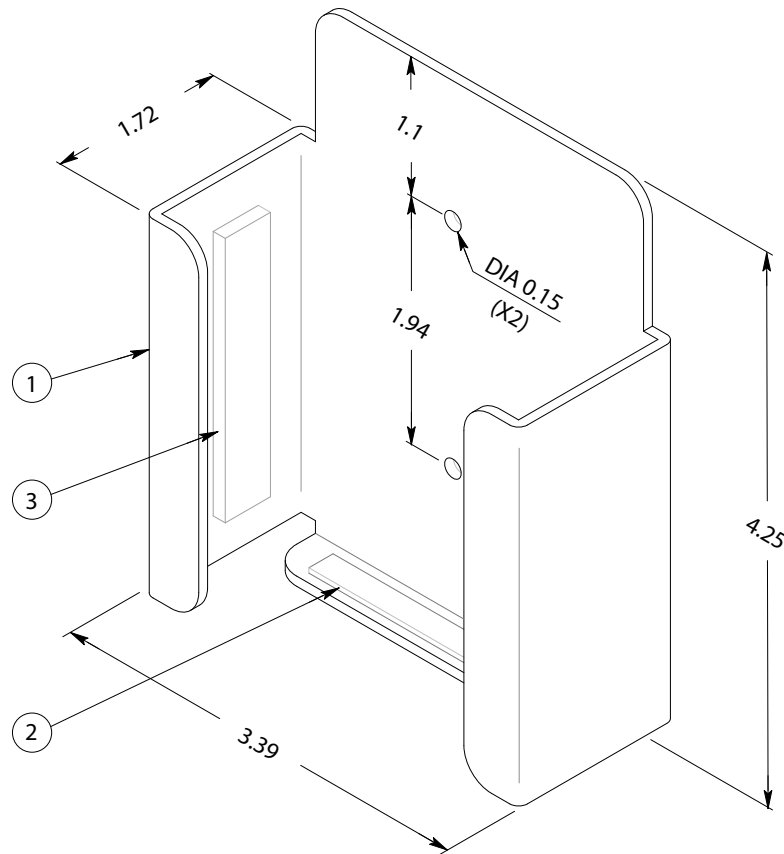


ITEM	QTY	MATERIAL	DESCRIPTION
1	1	B161708	M2 HOLDER
2	3	R-10470-M	1/4 WIDE x 2 1/2 LG. x 1/16 THK. SILICONE
3	2	4701-50	1/2 WIDE x 2 1/2 LG. x 1/8 THK. PORON

(CUT TO WIDTH)



NOTES:

1. MATERIAL: .080 ALUMINUM
2. FINISH: BLACK ANODIZE
3. CLOSED CELL CUSHIONS (INSIDE OF HOLDER)

CTI ELECTRONICS CORPORATION	
110 Old South Ave., Stratford, CT 06615 - Tel 203 / 386-9779 - Fax 203 / 378-4986 - www.ctielectronics.com	
TITLE: M2 HOLDER	
REV. D	DATE: 08-05-09
APPROVED:	DRAWN: VI / SJS / JM
A 761727	