

**ORDERING INFORMATION:**

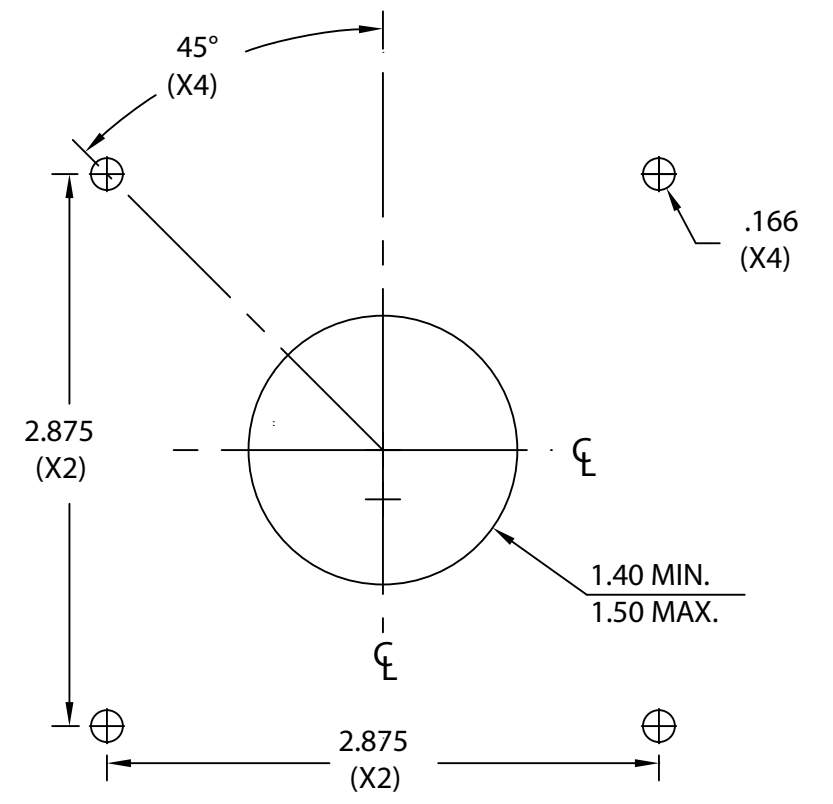
H 1 0 [ ] 0 [ ] - N 3 [ ]

3 N33 KNOB OPTION  
4 N34 KNOB OPTION

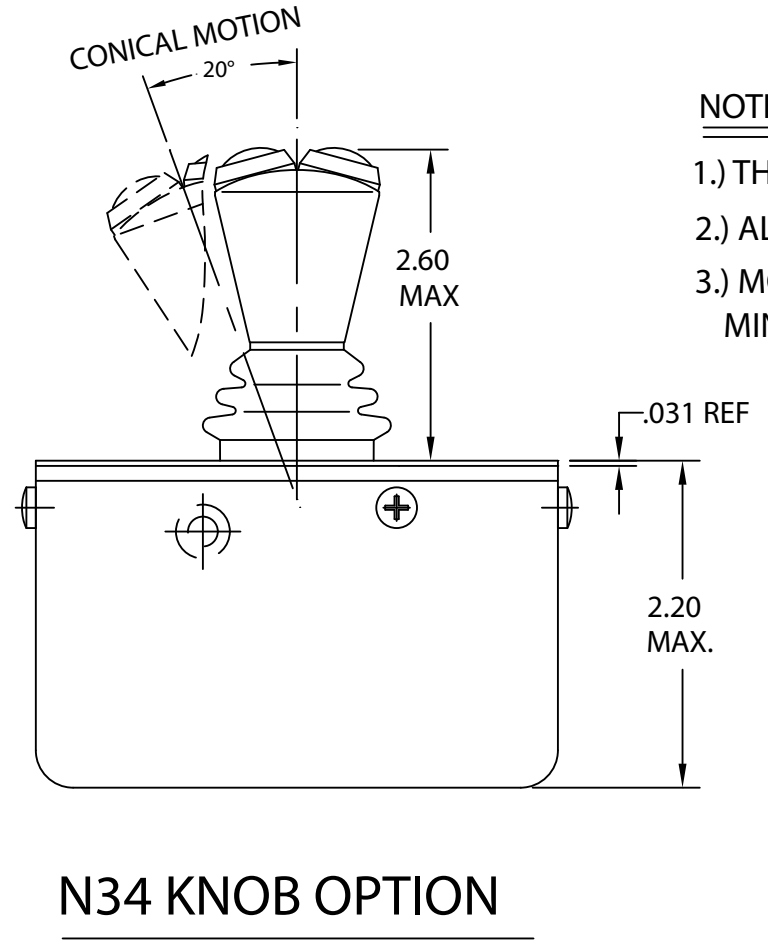
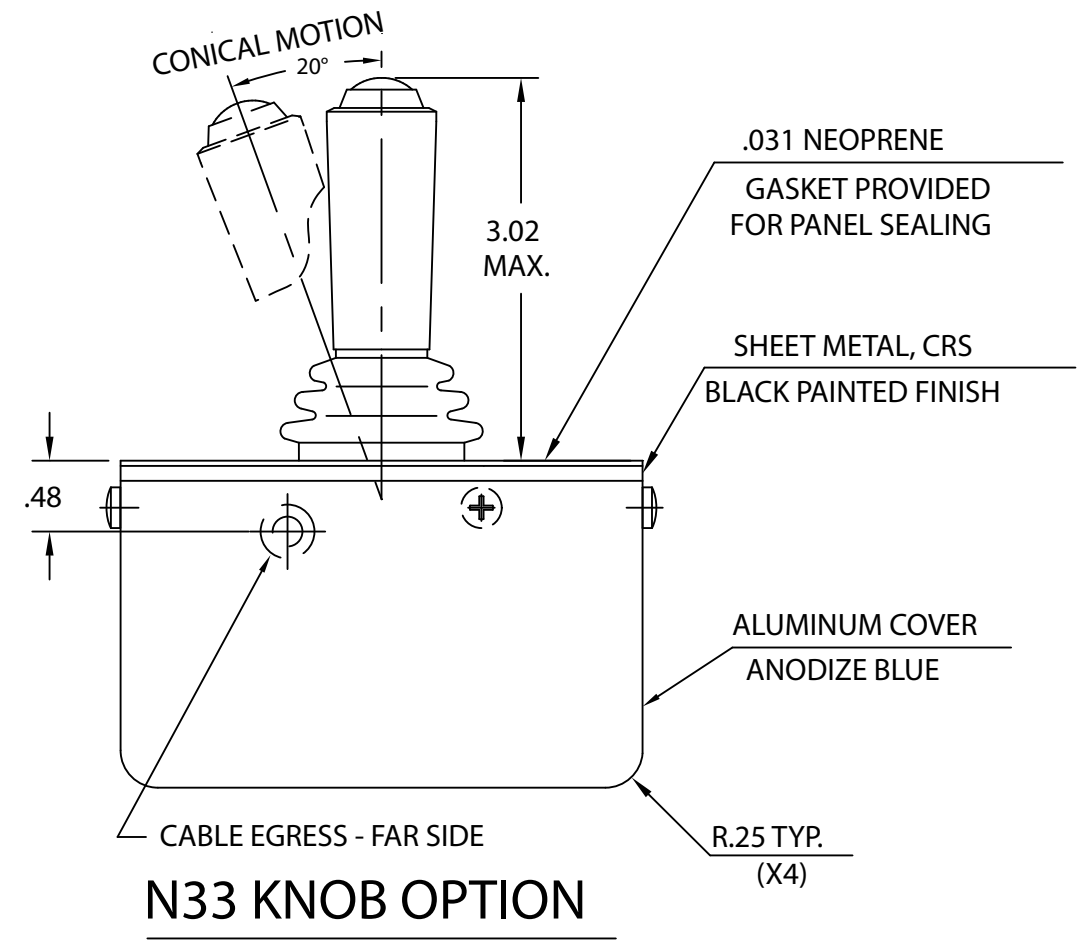
Z CONFORMAL COATING OPTION

P PS/2 INTERFACE (CABLE LENGTH IS 9.5')  
U USB INTERFACE (CABLE LENGTH IS 9.5')

9 QUADRATURE (LEGACY) N33 KNOB ONLY.  
CABLE REFERENCE IS D9M107 (CABLE LENGTH IS 6.0')



PANEL MOUNTING DETAIL



**NOTES**

- 1.) THIS IS A LEGACY PRODUCT, REPLACES H10PO-N32
- 2.) ALL DIMENSIONS ARE IN INCHES
- 3.) MOUNTING: USE STAINLESS STEEL SCREWS #6-32 (X4) MIN. .25 TO .50 MAX. DEPTH BELOW MOUNTING SURFACE

CTI ELECTRONICS CORPORATION	
WWW.CTIELECTRONICS.COM	
PANEL MOUNT INDUSTRIAL MOUSE™	
NEMA 4 (IP66) MODELS	
H10P0-NX	H10U0-NX
<b>761683</b>	SHEET 1 OF 1
APPROVED	DRAWN BY PSB
DATE 11-09-16	
COPYRIGHT 2016 CTI ELECTRONICS CORP. SPECIFICATIONS SUBJECT TO CHANGE WITHOUT NOTICE	