

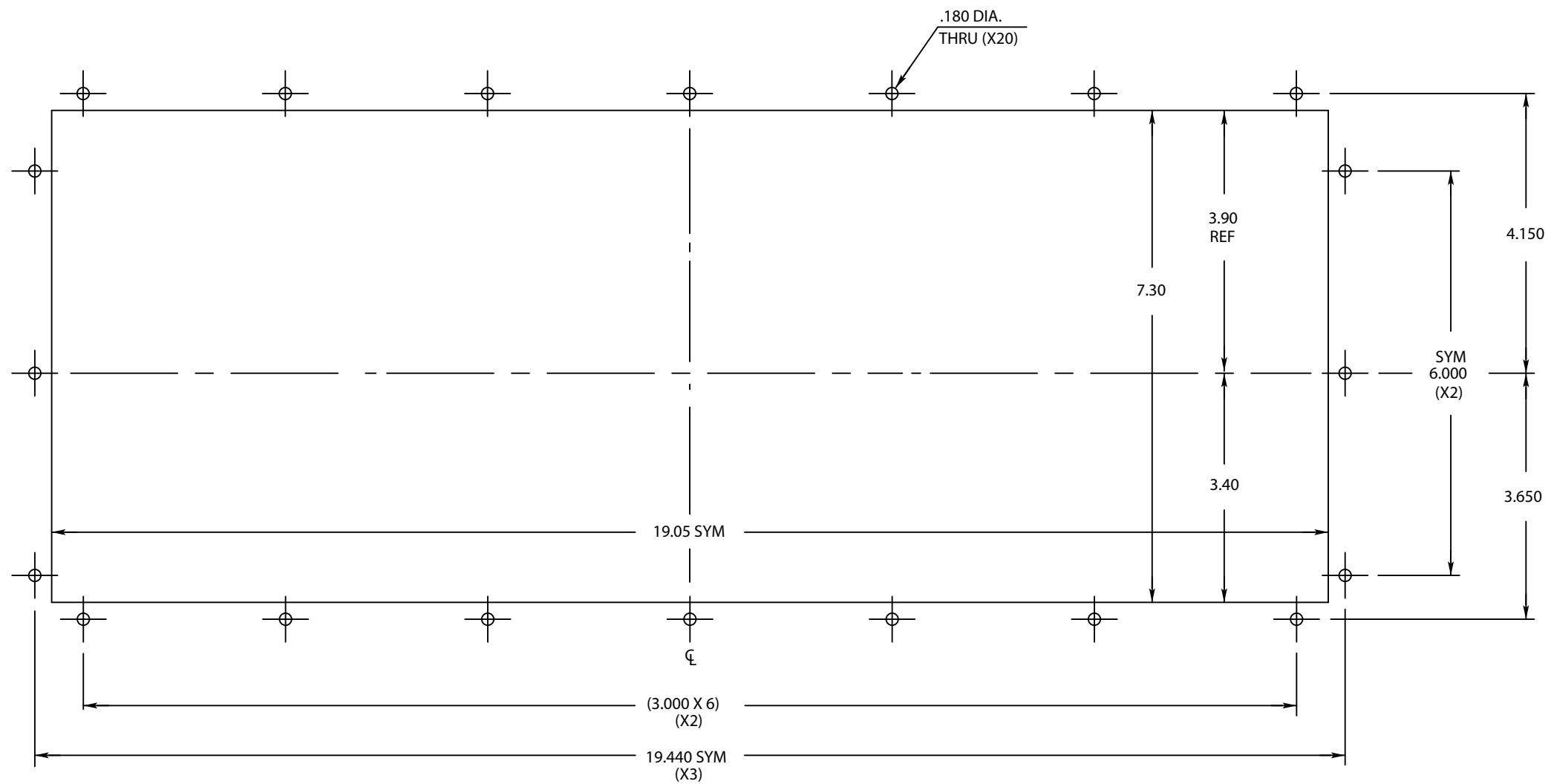
ORDERING INFORMATION:

- P PS/2 INTERFACE (6 PIN MINI DIN CONNECTOR, 9.5 FT. DEFAULT CABLE LENGTH)
 - U USB INTERFACE (9.5 FT. DEFAULT CABLE LENGTH)
 - 1 GRAY ELASTOMER WITH SYN-PROOF™ COATING (WAS No.9)
 - 4 BLACK ELASTOMER WITH SYN-PROOF™ COATING (WAS No.5)
- KIF99 - N3 -
- 2B 2 BUTTON PS/2 MOUSE (LEGACY)
 - 3B OR BLANK 3 BUTTON PS/2 MOUSE ONLY
 - ES SPANISH (GREY ELASTOMER ONLY)
 - FR FRENCH (GREY ELASTOMER ONLY)
 - DL GERMAN (GREY ELASTOMER ONLY)
 - BLANK IS STANDARD US QWERTY (LEGEND)

NOTES:

SHIP WITH REQUIRED HARDWARE:
 6CNHMS #6 x 5/16 HEX NUT S/S (X20)
 AN960CC 3/8 O.D. S/S WASHER (X20)
 DIMENSIONS IN INCHES

CTI ELECTRONICS CORPORATION <small>110 Old South Ave, Stratford, CT 06615 - Tel 203 / 386-9779 - Fax 203 / 378-4986 - www.ctielectronics.com</small>	
PANEL MOUNT NEMA 4X (IP66)	
KEYBOARD MODEL KIF99XX-N3	
DATE 01-12-16	
APPROVED:	DRAWN: PSB
761723	1 OF 2



MOUNTING DETAIL
DIMENSIONS IN INCHES

CAUTION

CONTENTS ARE STATIC SENSITIVE !!
USE PROPER GROUNDING PROCEDURES.

DEBURR AND CLEAN ANY METAL FILINGS FROM YOUR PANEL CUTOUT.
USE THE HARDWARE INCLUDED 6CNHMS #6 x 5/16 HEX NUT S/S (X20)
 AN960CC 3/8 O.D. S/S WASHER (X20)

DO NOT USE OVERSIZE NUT DRIVER/WRENCH, THIS MAY CAUSE
DAMAGE TO PC BOARDS, ETC.

CTI ELECTRONICS CORPORATION <small>110 Old South Ave., Stratford, CT 06615 - Tel 203 / 386-9779 - Fax 203 / 378-4986 - www.ctielelectronics.com</small>	
PANEL MOUNT NEMA 4X (IP66)	
KEYBOARD MODEL KIF99XX-N3	
DATE 01-12-16	
<small>APPROVED:</small>	<small>DRAWN:</small> PSB
761723 2 OF 2	