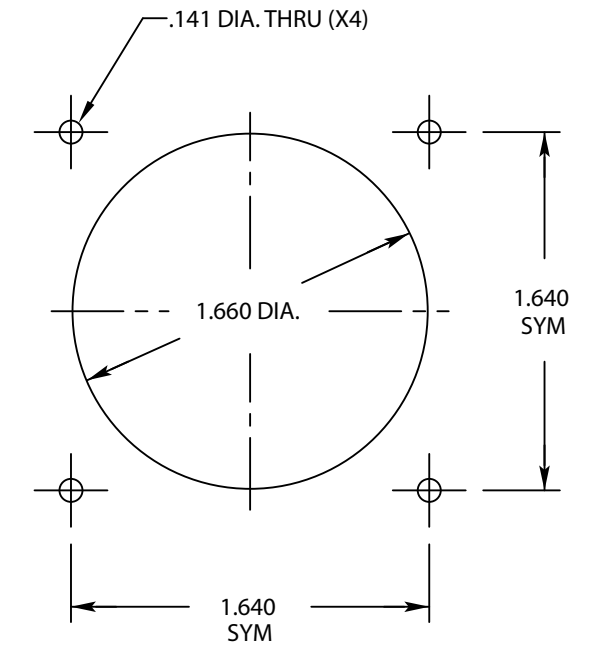
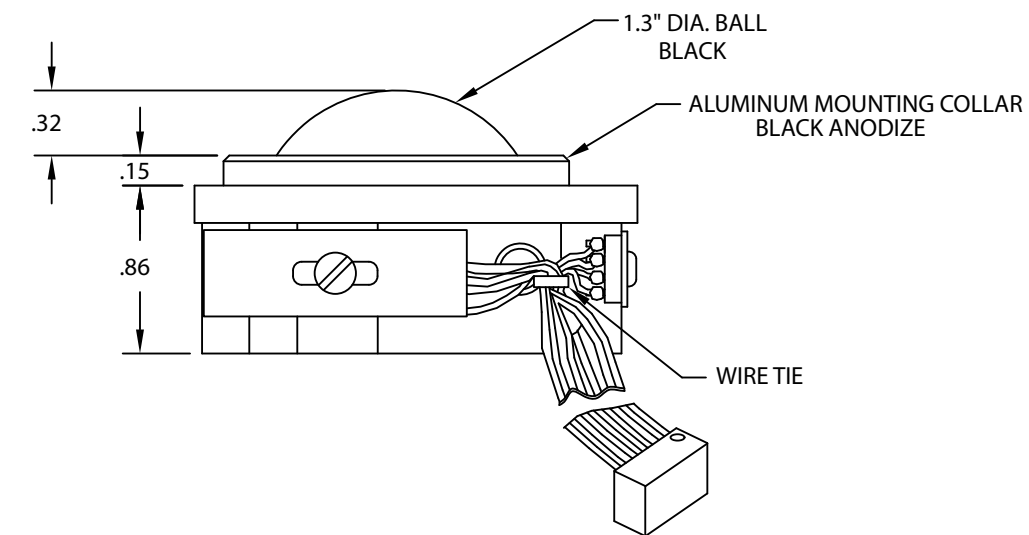
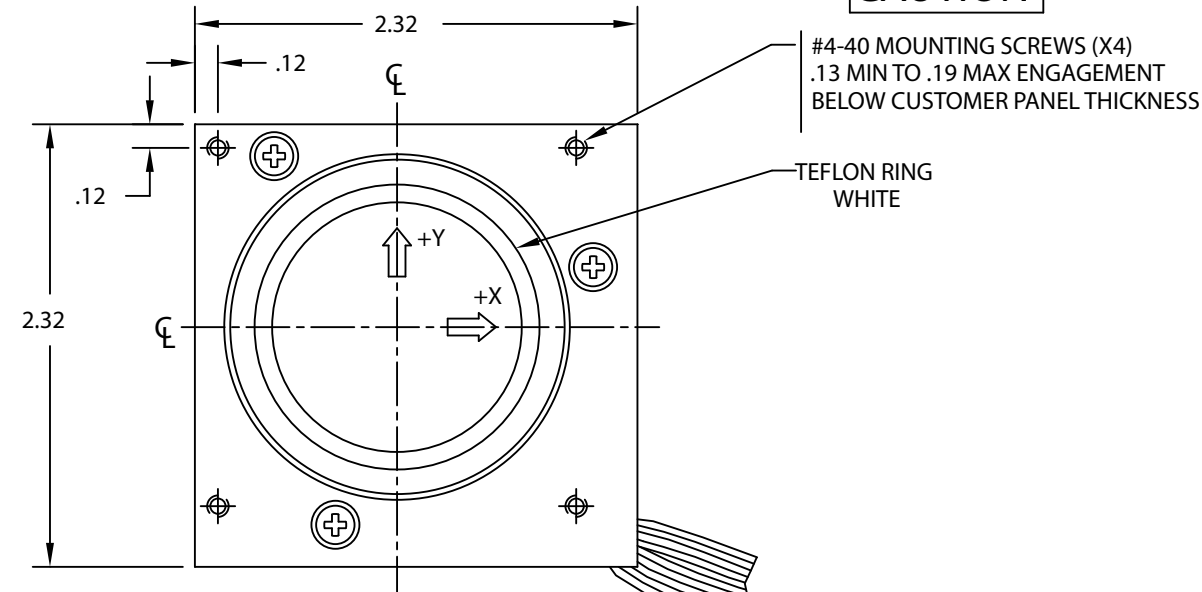


CAUTION



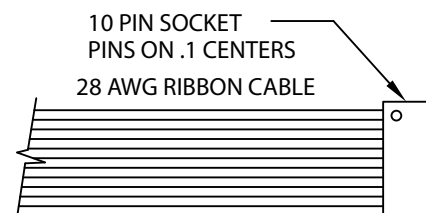
MOUNTING DETAIL

ORDERING INFORMATION:

- T6 XX X [] - []
- 6.0 RIBBON CABLE IS 6.0 INCHES LONG
 - 12.0 RIBBON CABLE IS 12.0 INCHES LONG
 - 18.0 RIBBON CABLE IS 18.0 INCHES LONG
 - D LOW TEMPERATURE BEARINGS (-25°C TO +80°C)
 - V STANDARD VIBRATION DAMPENING
 - Z CONFORMAL COATING (ENCODER PCB'S)

NOTE:

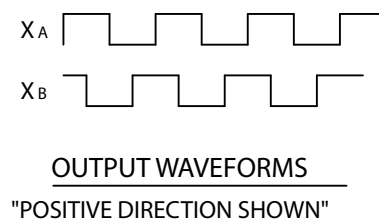
1. MOUSE INTERFACE CARD AND SWITCH ASSEMBLY ARE AVAILABLE SEPARATELY. CONTACT "CTI" FOR DETAILS.



1	2
3	4
5	6
7	8
9	10

CUSTOMER PC BOARD HEADER

PIN	FUNCTION	COLOR
1	Y _B	BROWN
2	COMMON	RED
3	+5V	ORANGE
4	Y _A	YELLOW
5	—	GREEN
6	—	BLUE
7	X _A	VIOLET
8	+5V	GRAY
9	COMMON	WHITE
10	X _B	BLACK



CTI ELECTRONICS CORPORATION
WWW.CTIELECTRONICS.COM

NEMA12 (IP54) OEM
 INDUSTRIAL TRACKBALL 1.3" DIAMETER
 T6XXX SERIES

761746

APPROVED _____ SHEET 1 OF 1 DATE 10-10-13

REV. C
 DRAWN BY PSB