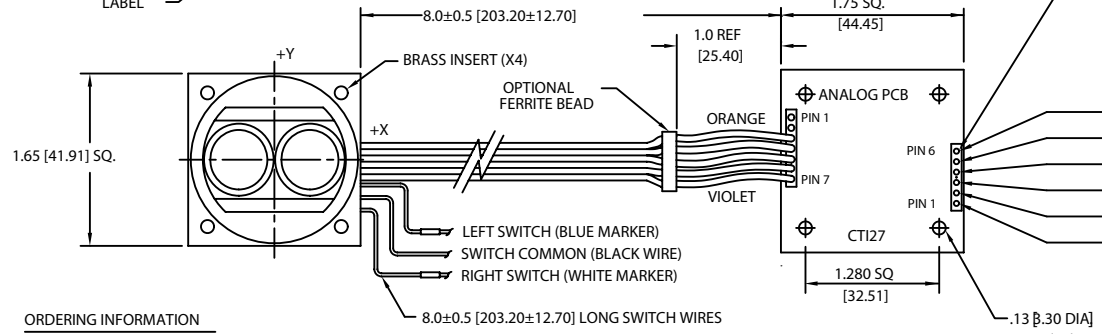


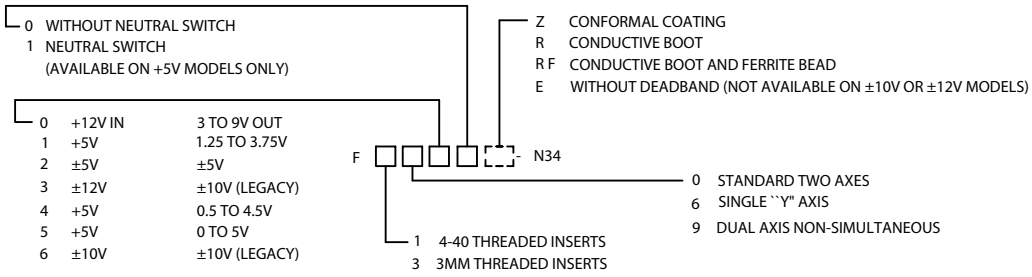
TEMPERATURE -40°C TO +80°C
 SEALING NEMA 4/IP66
 WEIGHT 4.5 oz., 127g
 STANDARD CE, RoHS, REACH, IPC 610 CLASS II COMPLIANT

NOTE SOLDER TO HEADER OR USE "AMP" 6 POSITION CONNECTOR PART No. 1-87499-1 AND SIX PINS PART No. 102917-2, OR EQUIVALENT.



F1000	F1020	F1030	F1010 F1040 F1050	F1060
OPTIONAL NEUTRAL SWITCH				
Y OUT	Y OUT	Y OUT	Y OUT	Y OUT
V REF.	COMMON	COMMON	V REF	COMMON
X OUT	X OUT	X OUT	X OUT	X OUT
COMMON	-5V	-12V	COMMON	-10V
+12V	+5V	+12V	+5V	+10V

ORDERING INFORMATION



NOTES:

DIMENSIONS ARE IN INCHES [MILLIMETERS]
 REF DWG 761718 FOR ELECTRICAL DETAILS

CTI ELECTRONICS CORPORATION
 WWW.CTIELECTRONICS.COM

NEMA 4 (IP66)
 INDUSTRIAL JOYSTICK
 (ANALOG) F1000-N34 SERIES

761755 DATE 07-26-16
 DRAWN BY PSB

APPROVED SHEET 1 OF 1

COPYRIGHT 2016 CTI ELECTRONICS CORP.
 SPECIFICATIONS SUBJECT TO CHANGE WITHOUT NOTICE