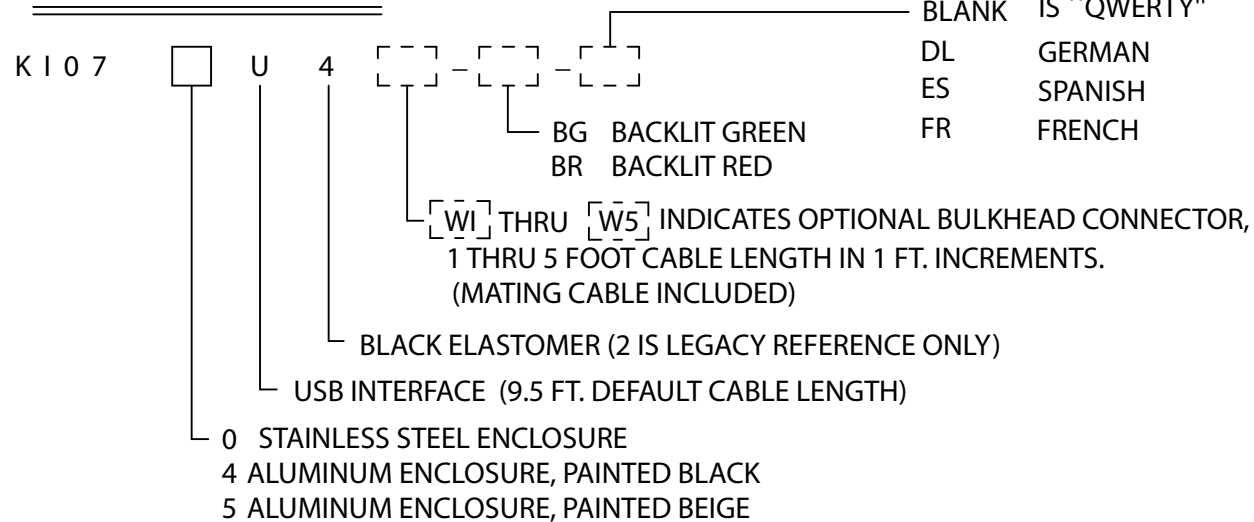


**ORDERING INFORMATION:**



**LANGUAGE OPTIONS**

BLANK	IS "QWERTY"
DL	GERMAN
ES	SPANISH
FR	FRENCH

**SPECIFICATION:**

TEMPERATURE:	-40°C TO +80°C
SEALING:	NEMA 4/4X (IP66)
SHOCK:	40G (N) 11 msec. per MIL-STD-810
WEIGHT:	KEYBOARD WITH ALUMINUM ENCLOSURE APPROX. 35 OZ. (1 KILOGRAM) KEYBOARD WITH STAINLESS STEEL ENCLOSURE APPROX. 59 OZ. (1.7 KILOGRAMS)
STANDARD:	☑ ROHS, REACH, FCC CLASS B
PATENTS:	7,499,032, OTHERS PENDING

**CTI ELECTRONICS CORPORATION**

WWW.CTIELECTRONICS.COM

NEMA 4/4X (IP66)  
 USB BACKLIT KEYBOARD  
 WITH ORBITALMOUSE®  
 BUTTON STYLE POINTER  
 MODEL KIO7XU2-BX SERIES

**761766**

DATE 11-03-15  
DRAWN BY PSB

APPROVED

SHEET 1 OF 1

COPYRIGHT 2015 CTI ELECTRONICS CORP.  
 SPECIFICATIONS SUBJECT TO CHANGE WITHOUT NOTICE