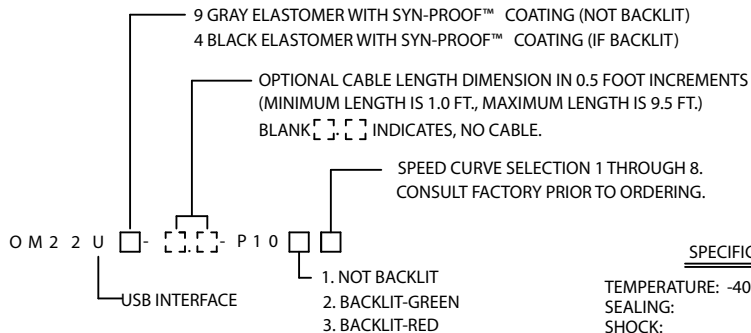


MOUNTING DETAIL

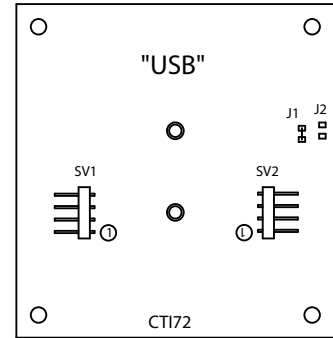
ORDERING INFORMATION:



SPECIFICATION:

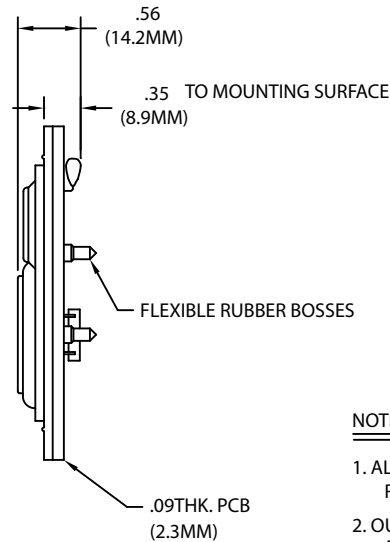
TEMPERATURE: -40°C TO 80°C  
 SEALING: NEMA 4 (IP66)  
 SHOCK: 50 GN11 MSEC. PER MIL-STD-810  
 WEIGHT: ASSEMBLY, LESS CABLE, APPROX 1.13 OZ. (32 GRAMS)  
 STANDARD: C E, ROHS, FCC CLASS B  
 PATENT: 7,499,032

- ④ COMMON (BLACK)
- ③ D+ (GREEN)
- ② D- (WHITE)
- ① V<sub>DD</sub> (RED)



ONLY ONE JUMPER OPTION CAN BE USED

- J1 ENABLES LEFT SWITCH/LED LATCHING OPTION
- J2 ENABLES BACKLIT OPTION



NOTES:

1. ALL KEY SWITCHES HAVE HARD GOLD PLATED CONTACTS, RATED AT 10 MILLION ACTIVATIONS.
2. OUTPUT CONNECTOR HAS GOLD PLATED .025 SQUARE PINS ON .1" CENTERS
3. THIS PRODUCT CONTAINS STATIC SENSITIVE COMPONENTS, USE APPROPRIATE PRECAUTIONS WHEN HANDLING.

<b>CTI ELECTRONICS CORPORATION</b>	
WWW.CTIELECTRONICS.COM	
NEMA 4 (IP66) OEM INDUSTRIAL ORBITALMOUSE® (BUTTON STYLE POINTER) OM22UX SERIES	
<b>761769</b>	SHEET 1 OF 1
APPROVED	DATE 07-06-12
	REV. E DRAWN BY SJS/PSB