

ANALOG JOYSTICK VOLTAGE OUTPUTS

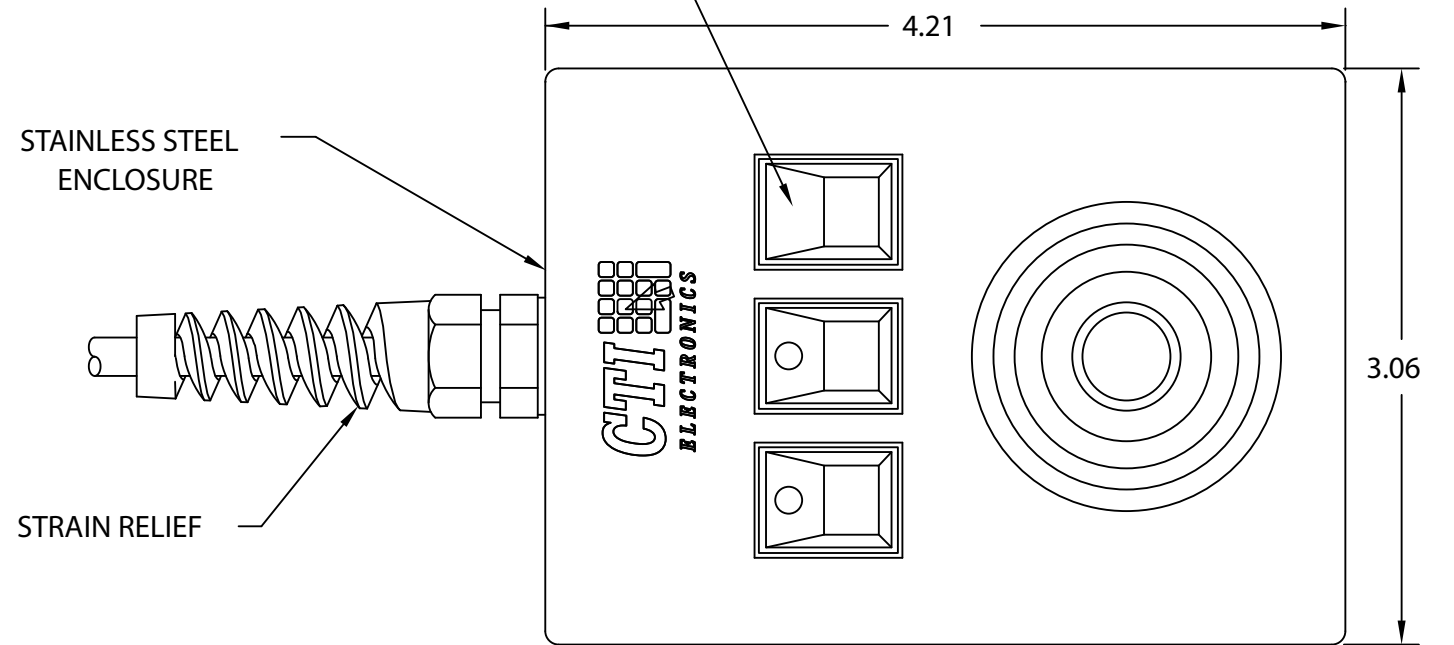
MODEL NO.	MIN DEFLECT.	CENTER	MAX DEFLECT.
M2003-N3-P0322	0 VOLT	1.25 VOLTS	2.5 VOLTS
M2003-N3-P0323	0 VOLT	2.5 VOLTS	5 VOLTS

CABLE SPEC:

10 FOOT OF 28 AWG, 10 CONDUCTOR, SHIELDED CABLE
 END IS STRIPPED AND TINNED, CUT LENGTH 10'- 6"
 NO CONNECTOR ON END OF CABLE. CUSTOMER MUST
 INSTALL OWN CONNECTOR!

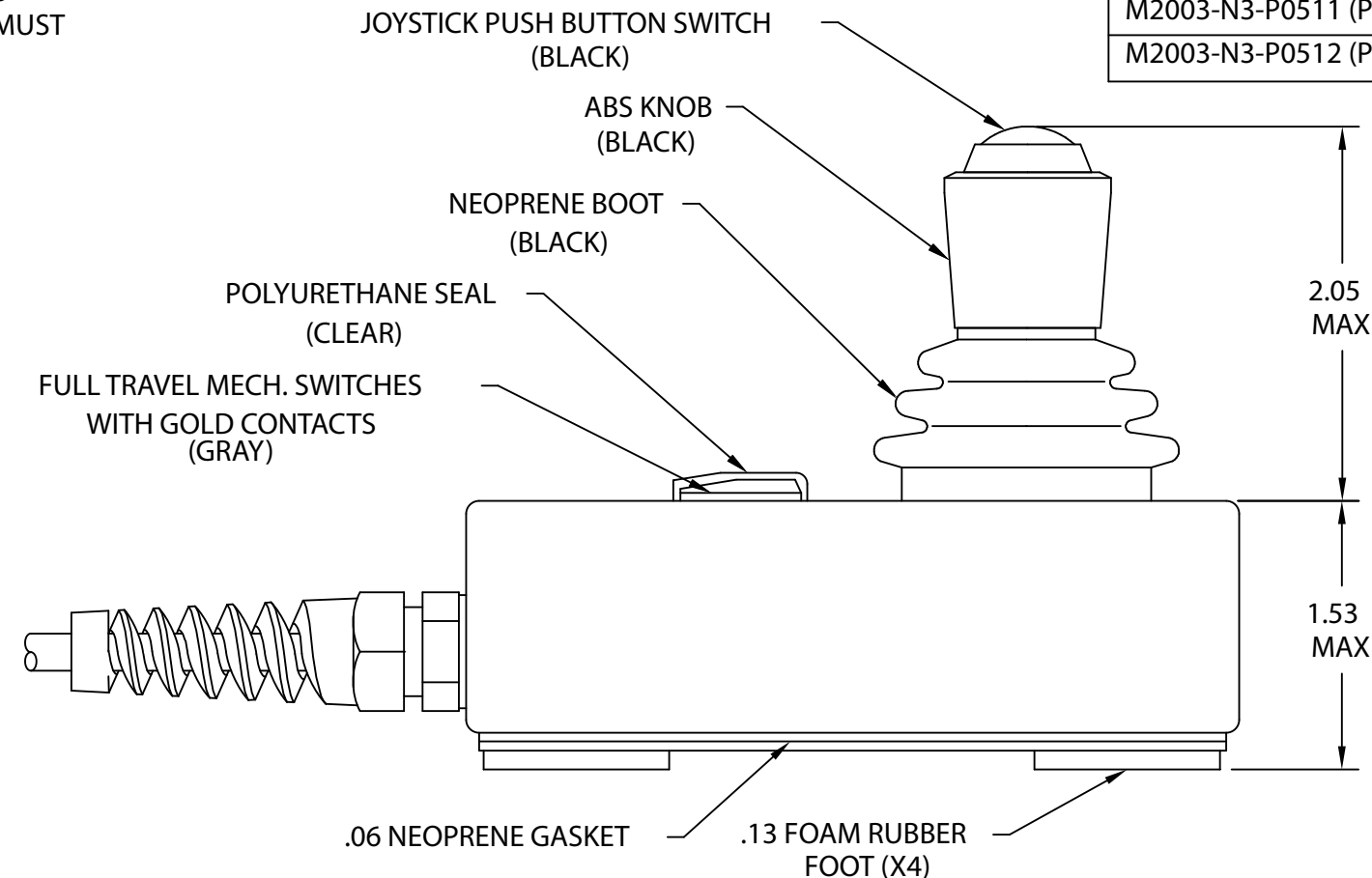
COLOR	FUNCTION
	SHIELD
RED	+5 VOLTS
BLACK	COMMON JOYSTICK & P.B SWITCH
ORANGE	X-AXIS
WHITE	Y-AXIS
WHITE-BLACK	P.B. SWITCH
ORANGE-BLACK	N/C
GREEN	SWITCH COMMON
RED-BLACK	LEFT SWITCH
GREEN-BLACK	MIDDLE SWITCH
BLUE	RIGHT SWITCH

MODELS P0511 & P0512 HAVE 1 MOMENTARY
 AND 2 LATCHING SWITCHES WITH LED INDICATOR.
 MODELS P1411 & P1412
 HAVE 3 MOMENTARY SWITCHES.



ANALOG JOYSTICK VOLTAGE OUTPUTS

MODEL NO.	MIN DEFLECT.	CENTER	MAX DEFLECT.
M2003-N3-P0511 (P1411)	0 VOLT	1.25 VOLTS	2.5 VOLTS
M2003-N3-P0512 (P1412)	0 VOLT	2.5 VOLTS	5 VOLTS



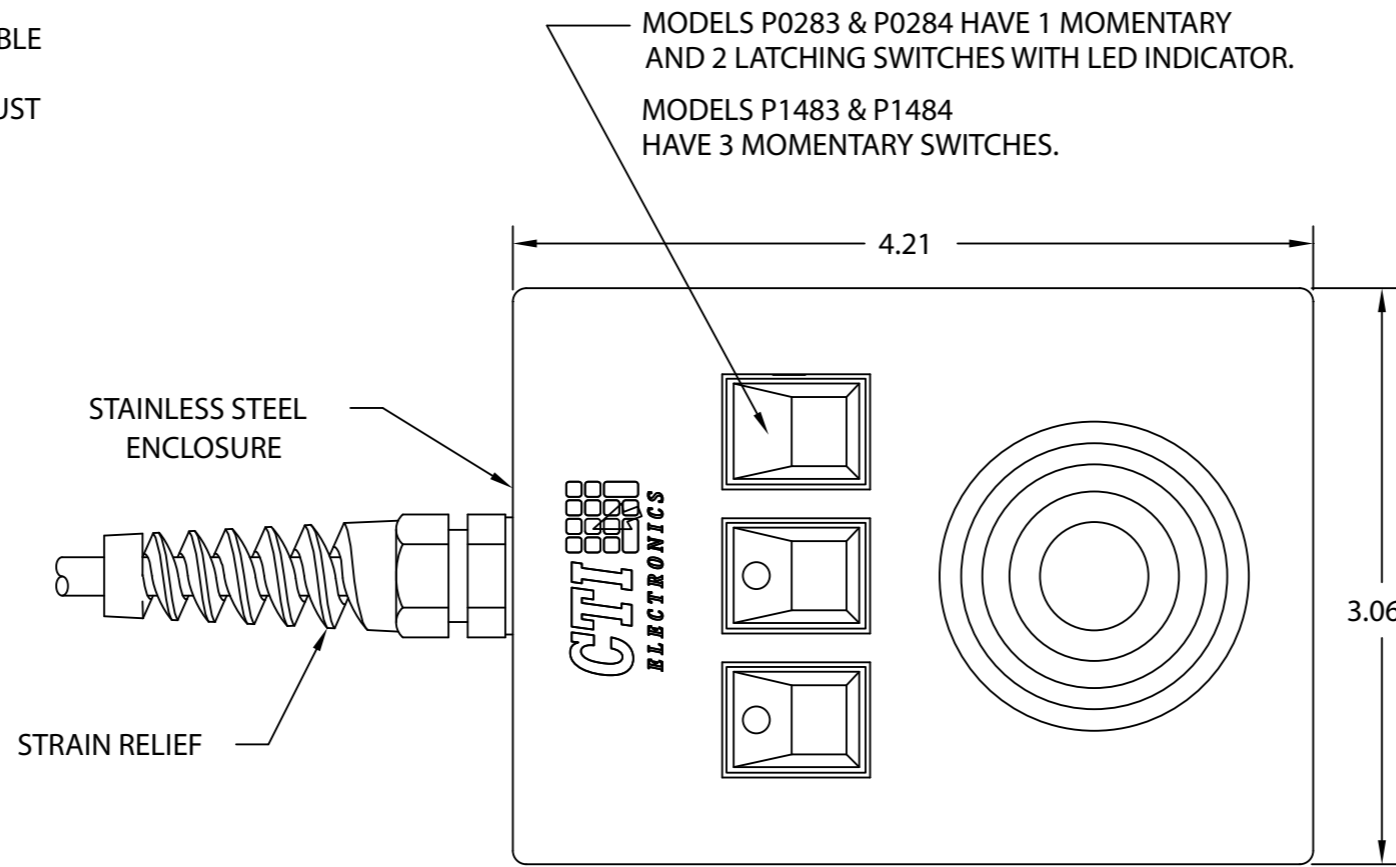
NOTE
 FOR OPTIONAL HOLDER SEE SPEC. DWG. 761727

CTI ELECTRONICS CORPORATION WWW.CTIELECTRONICS.COM		
SEALED HAND HELD ANALOG JOYSTICK FOR COMPUMOTOR INTERFACE		
761791	SHEET 1 OF 3	DATE 07-14-15
APPROVED	DRAWN BY PSB	
COPYRIGHT 2015 CTI ELECTRONICS CORP. SPECIFICATIONS SUBJECT TO CHANGE WITHOUT NOTICE		

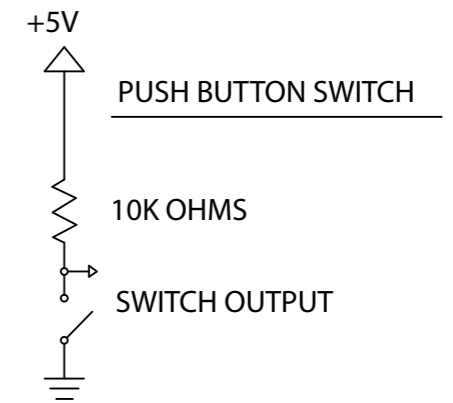
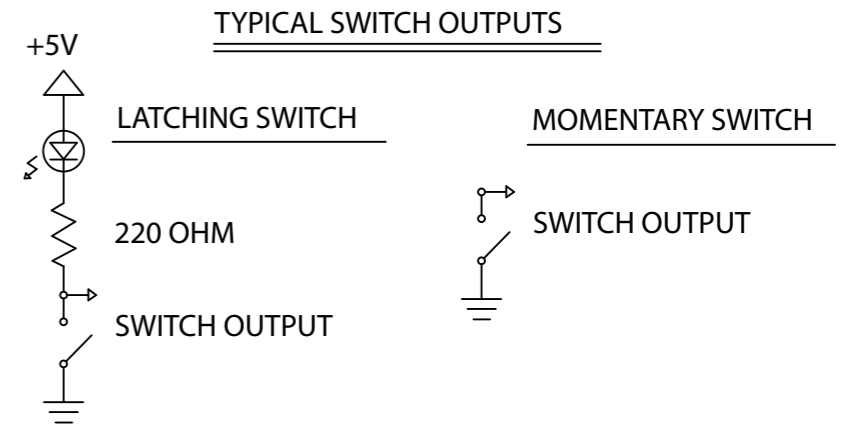
CABLE SPEC:

10 FOOT OF 28 AWG, 8 CONDUCTOR, SHIELDED CABLE
 END IS STRIPPED AND TINNED, CUT LENGTH 10'- 6"
 NO CONNECTOR ON END OF CABLE. CUSTOMER MUST
 INSTALL OWN CONNECTOR!

COLOR	FUNCTION
	SHIELD
RED	+5 VOLTS
BLACK	JOYSTICK COMMON
ORANGE	X-AXIS
WHITE	Y-AXIS
GREEN	SWITCH COMMON
RED-BLACK	LEFT SWITCH
WHITE-BLACK	MIDDLE SWITCH
BLUE	RIGHT SWITCH

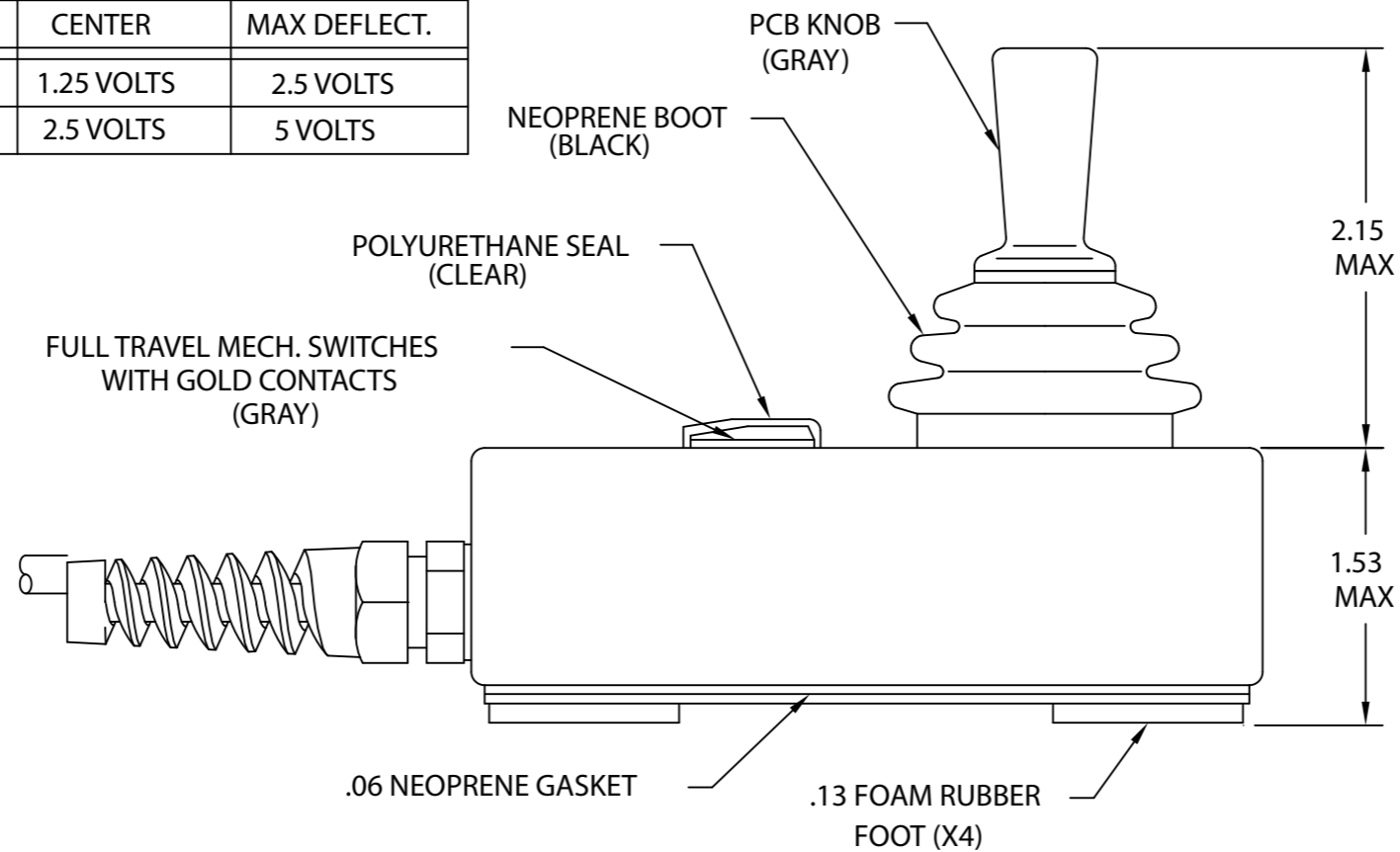


MODELS P0283 & P0284 HAVE 1 MOMENTARY
 AND 2 LATCHING SWITCHES WITH LED INDICATOR.
 MODELS P1483 & P1484
 HAVE 3 MOMENTARY SWITCHES.



ANALOG JOYSTICK VOLTAGE OUTPUTS

MODEL No	MIN DEFLECT.	CENTER	MAX DEFLECT.
M2003-N24-P0283 (P1483)	0 VOLT	1.25 VOLTS	2.5 VOLTS
M2003-N24-P0284 (P1484)	0 VOLT	2.5 VOLTS	5 VOLTS



NOTE

FOR OPTIONAL HOLDER SEE SPEC. DWG. 761727

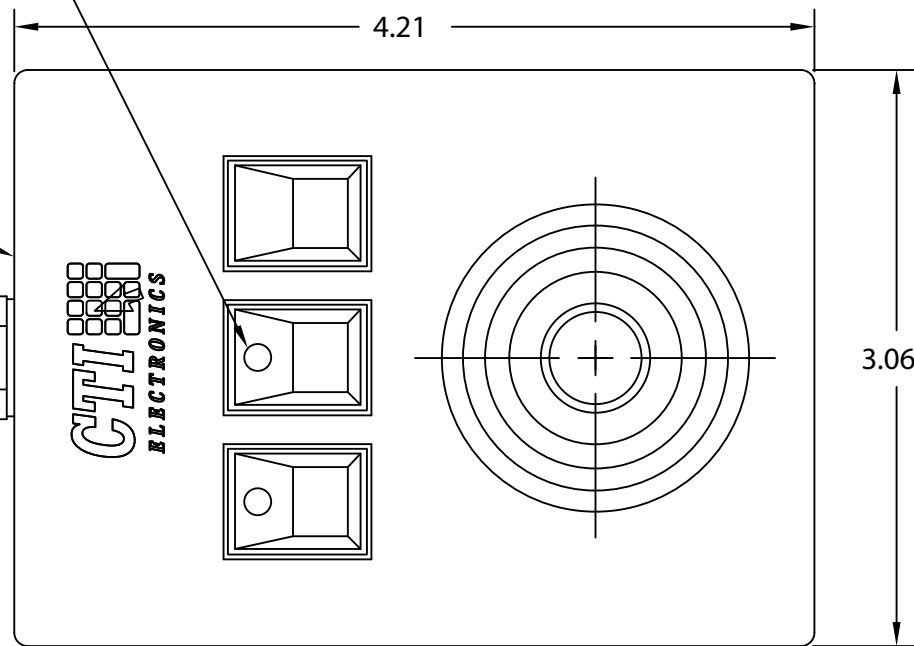
CTI ELECTRONICS CORPORATION WWW.CTIELECTRONICS.COM		
SEALED HAND HELD ANALOG JOYSTICK FOR COMPUMOTOR INTERFACE		
761791	SHEET 2 OF 3	DATE 07-14-15
APPROVED	DRAWN BY PSB	
COPYRIGHT 2015 CTI ELECTRONICS CORP. SPECIFICATIONS SUBJECT TO CHANGE WITHOUT NOTICE		

MODELS P1117 & P1118 HAVE 1 MOMENTARY AND 2 LATCHING SWITCHES WITH LED INDICATOR.

MODELS P1417 & P1418 HAVE 3 MOMENTARY SWITCHES.

STAINLESS STEEL ENCLOSURE

STRAIN RELIEF



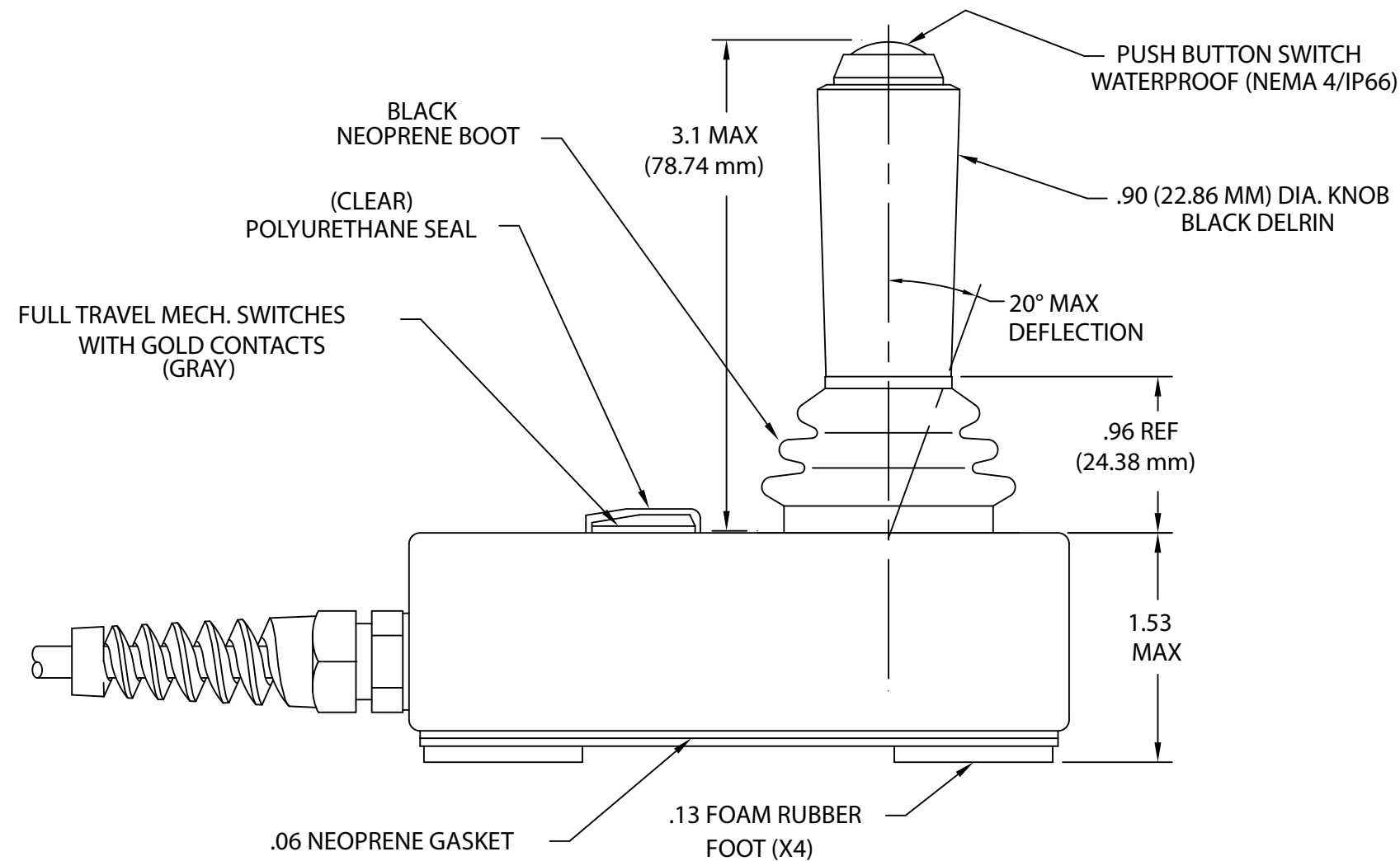
ANALOG JOYSTICK VOLTAGE OUTPUTS

MODEL NO.	MIN DEFLECT.	CENTER	MAX DEFLECT.
M2003-N33-P1117 (P1417)	0 VOLT	1.25 VOLTS	2.5 VOLTS
M2003-N33-P1118 (P1418)	0 VOLT	2.50 VOLTS	5.0 VOLTS

CABLE SPEC:

10 FOOT OF 28 AWG, 10 CONDUCTOR, SHIELDED CABLE END IS STRIPPED AND TINNED, CUT LENGTH 10'- 6" NO CONNECTOR ON END OF CABLE. CUSTOMER MUST INSTALL OWN CONNECTOR!

COLOR	FUNCTION
	SHIELD
RED	+5 VOLTS
BLACK	COMMON JOYSTICK & P.B SWITCH
ORANGE	X-AXIS
WHITE	Y-AXIS
WHITE-BLACK	P.B. SWITCH
ORANGE-BLACK	N/C
GREEN	SWITCH COMMON
RED-BLACK	LEFT SWITCH
GREEN-BLACK	MIDDLE SWITCH
BLUE	RIGHT SWITCH



NOTE

FOR OPTIONAL HOLDER SEE SPEC. DWG. 761727

CTI ELECTRONICS CORPORATION
WWW.CTIELECTRONICS.COM

SEALED HAND HELD
ANALOG JOYSTICK
FOR COMPUMOTOR INTERFACE

761791

SHEET 3 OF 3

DATE 07-14-15

APPROVED

DRAWN BY PSB

COPYRIGHT 2015 CTI ELECTRONICS CORP.
SPECIFICATIONS SUBJECT TO CHANGE WITHOUT NOTICE