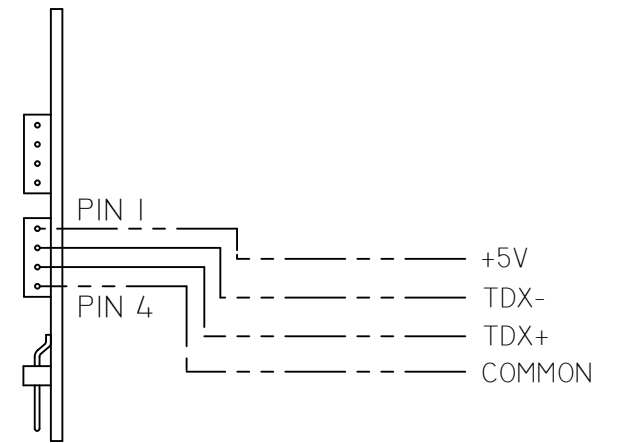
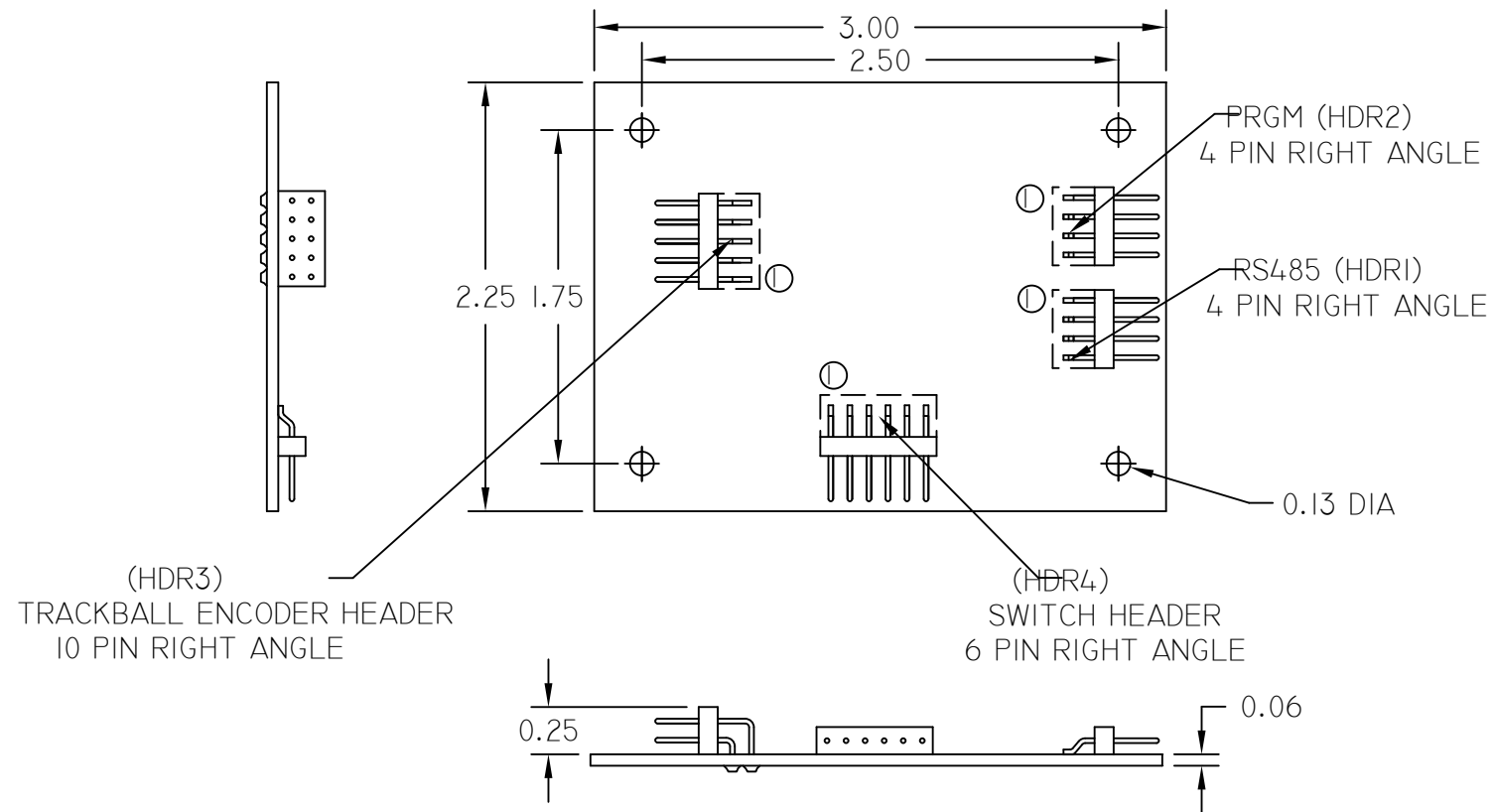


(HDR4) SWITCH HEADER

- PIN 1 LEFT SWITCH
- PIN 2 MIDDLE SWITCH
- PIN 3 RIGHT SWITCH
- PIN 4 SWITCH COMMON
- PIN 5 COMMON, LED OPTION
- PIN 6 LED ANODE (+) OPTION



ORDERING INFORMATION:

C 6 0 2 0 [] - C 9 1 P [Y] [Y] [X] [X]
 [] - Z CONFORMAL COATING OPTION.
 [Y] [Y] [X] [X] - CONTACT CTI FOR COMPLETE PART NUMBER.

NOTE DIMENSIONS ARE IN INCHES

CTI ELECTRONICS CORPORATION
 WWW.CTIELECTRONICS.COM

RS422/RS485 INTERFACE PCB
 FOR OEM INDUSTRIAL TRACKBALL

761820

SHEET 1 OF 1

SCALE 1-1

APPROVED

DATE 06-08-17

DRAWN BY
 PSB

COPYRIGHT 2017 CTI ELECTRONICS CORP.
 SPECIFICATIONS SUBJECT TO CHANGE WITHOUT NOTICE