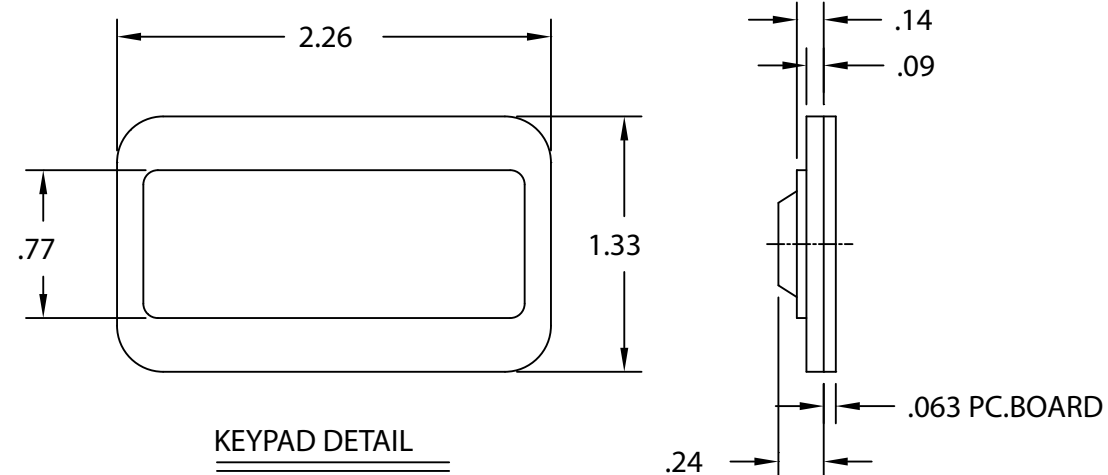
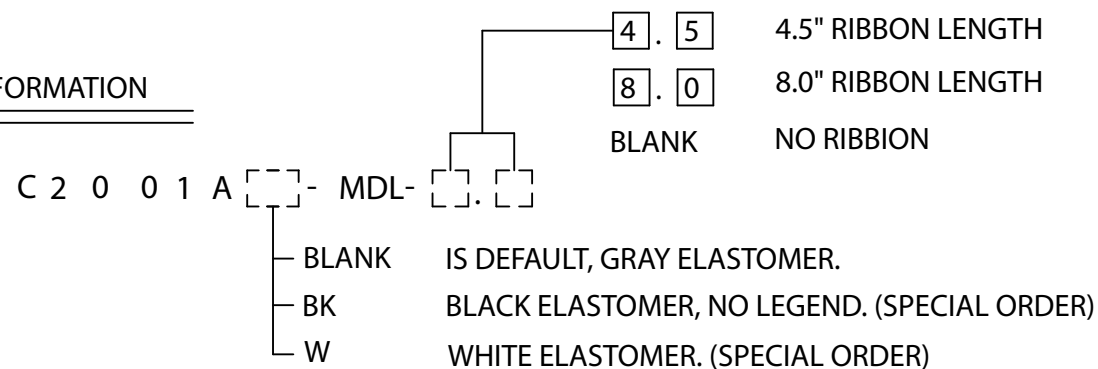


ORDERING INFORMATION



MODEL	LED'S	RESISTOR	RIBBON COLORS USED
C2001A	NONE	NONE	(2) BLACK OR 1 WHITE & 1 BLACK

NOTES

1. GOLD CONTACTS RATED FOR 5 VOLTS, LOGIC LEVEL CURRENT ONLY.

SPECIFICATIONS SUBJECT TO CHANGE WITHOUT NOTICE.

CTI <u>ELECTRONICS CORPORATION</u>	
WWW.CTIELECTRONICS.COM	
NEMA 4 (IP66) C2001A SINGLE BUTTON ELASTOMER SWITCH SERIES	
761824	REV. A
APPROVED	DRAWN BY PSB
SHEET 1 OF 1	DATE 12-03-13