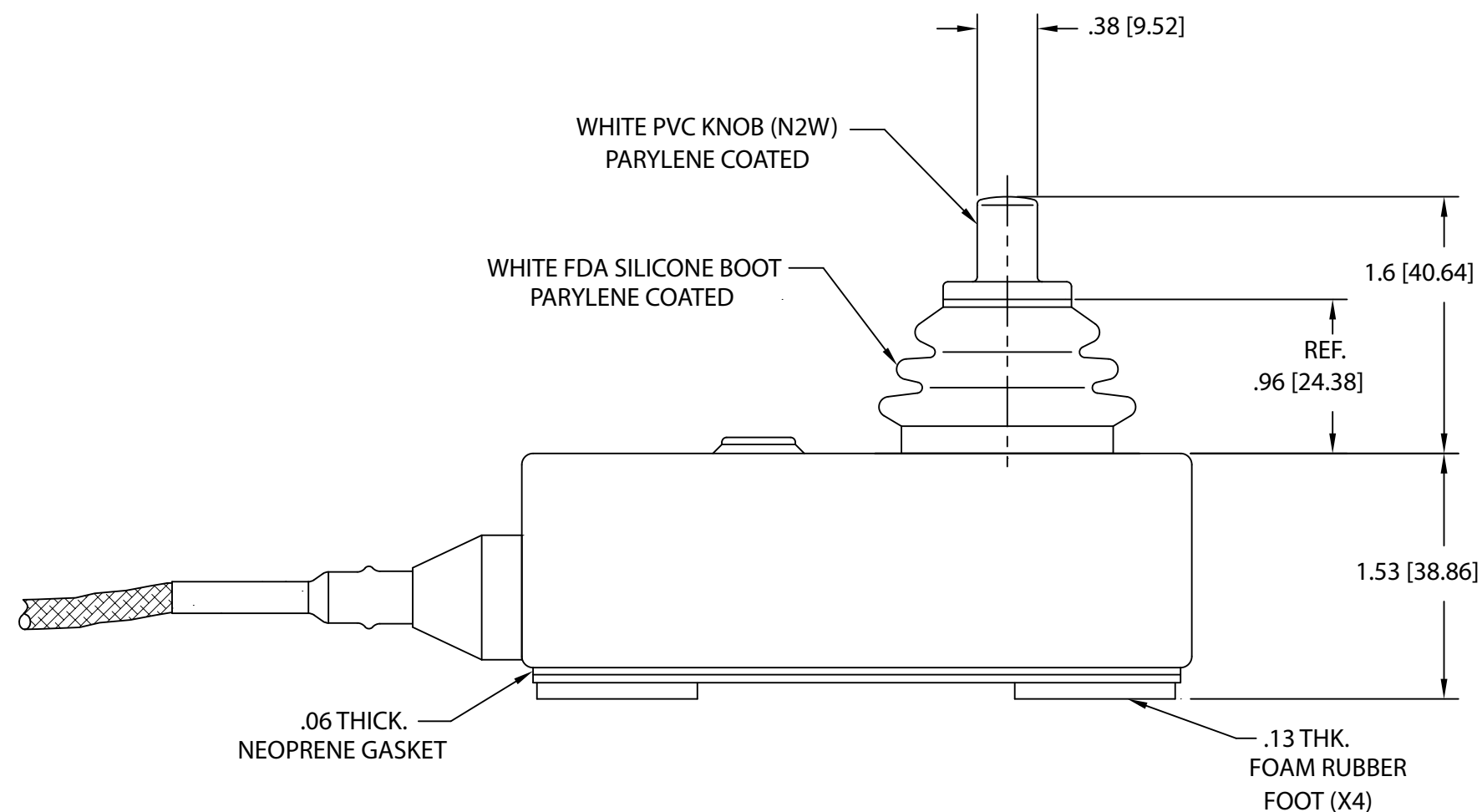
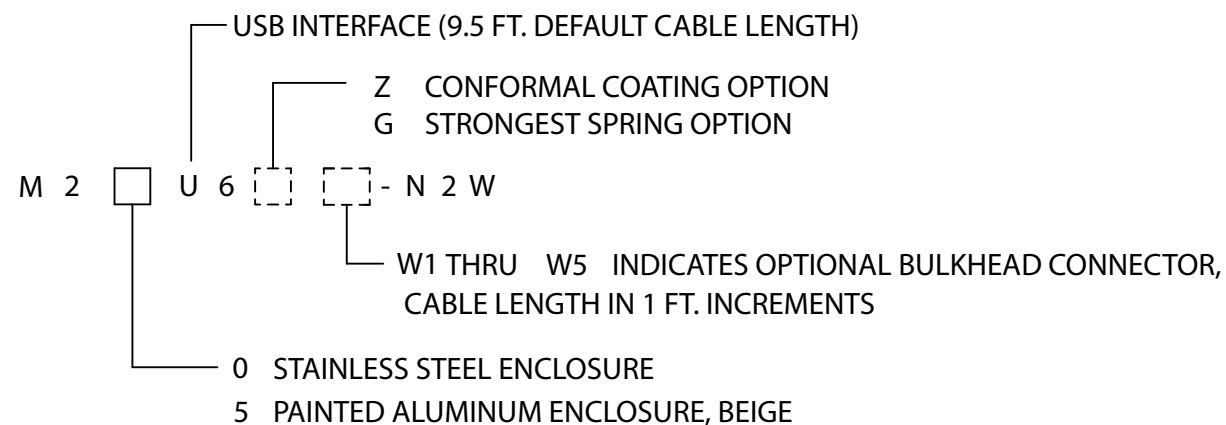


ORDERING INFORMATION



NOTES

DIMENSIONS ARE IN INCHES [MILLIMETERS]

**CTI** ELECTRONICS CORPORATION  
WWW.CTIELECTRONICS.COM

M2XU6-N2W SERIES NEMA 4X (IP66)  
HANDHELD MEDICAL MOUSE,  
CLEANROOM POINTING DEVICE

**761830**

DRAWN BY PSB  
DATE 08-26-15

APPROVED

SHEET 1 OF 1

COPYRIGHT 2015 CTI ELECTRONICS CORP.  
SPECIFICATIONS SUBJECT TO CHANGE WITHOUT NOTICE