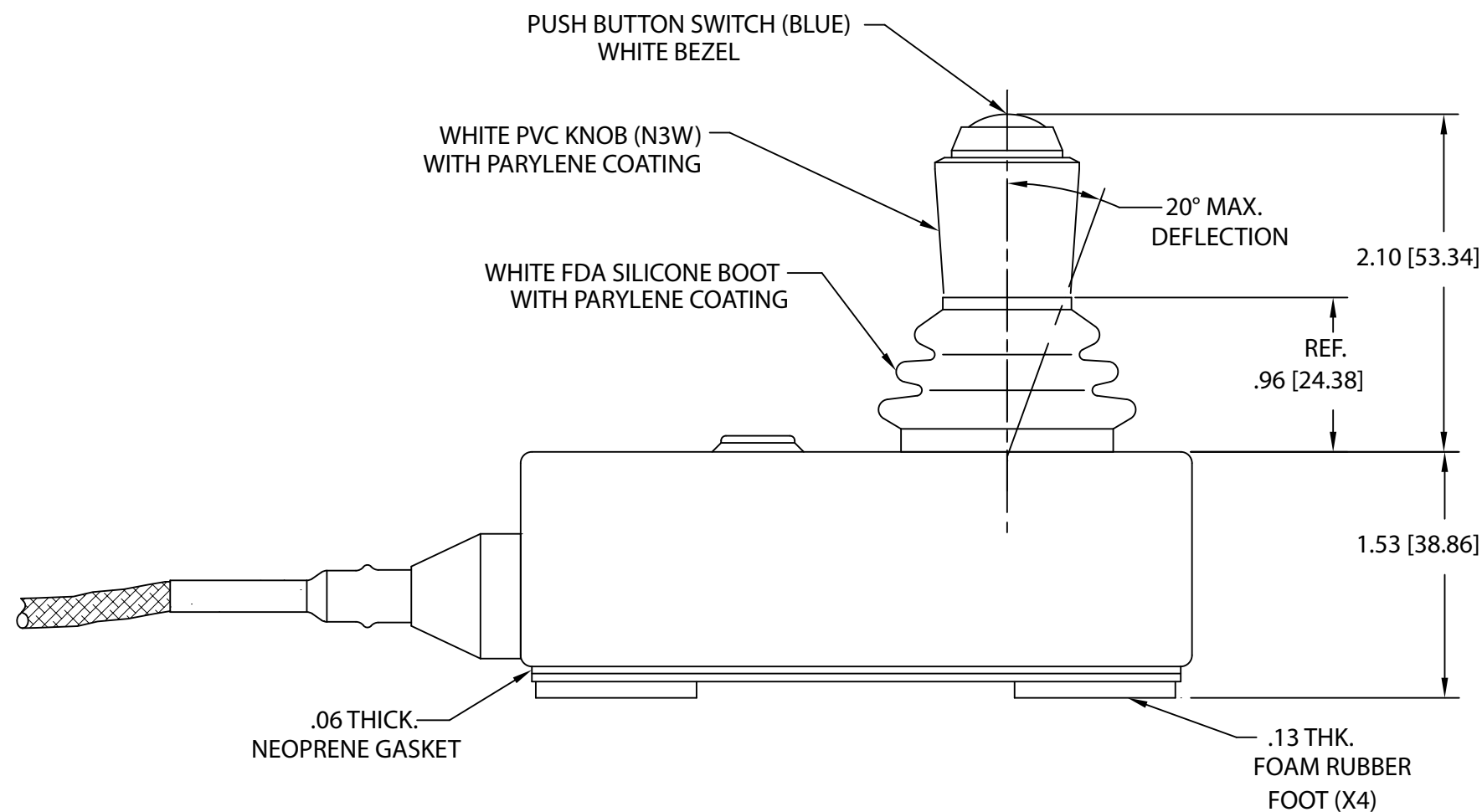
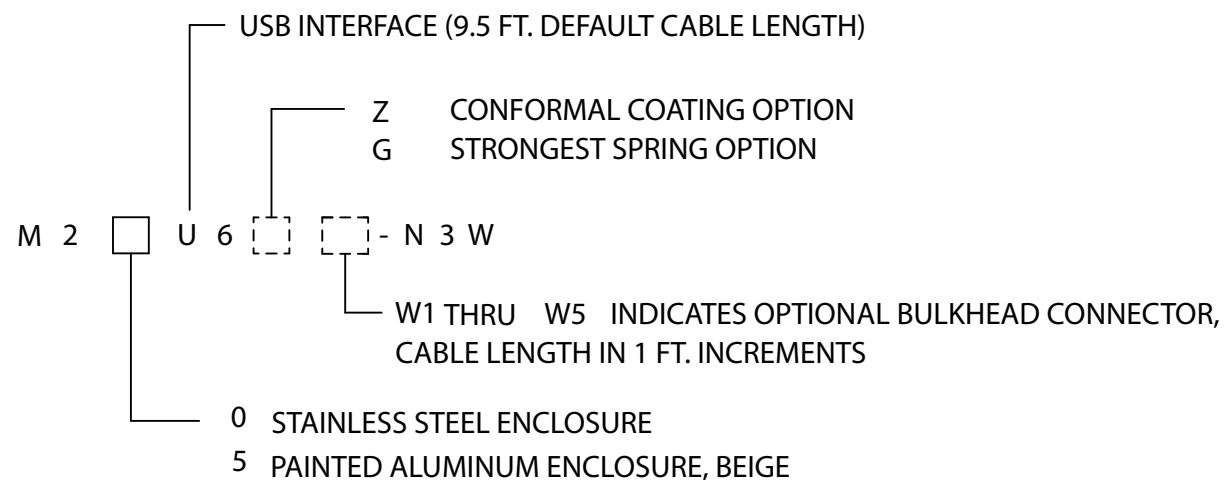


ORDERING INFORMATION



NOTES

DIMENSIONS ARE IN INCHES [MILLIMETERS]

CTI ELECTRONICS CORPORATION
WWW.CTIELECTRONICS.COM

M2XU6-N3W SERIES NEMA 4X (IP66)
HANDHELD MEDICAL MOUSE,
CLEANROOM POINTING DEVICE

761841

DRAWN BY PSB
DATE 08-19-15

APPROVED

SHEET 1 OF 1

COPYRIGHT 2015 CTI ELECTRONICS CORP.
SPECIFICATIONS SUBJECT TO CHANGE WITHOUT NOTICE