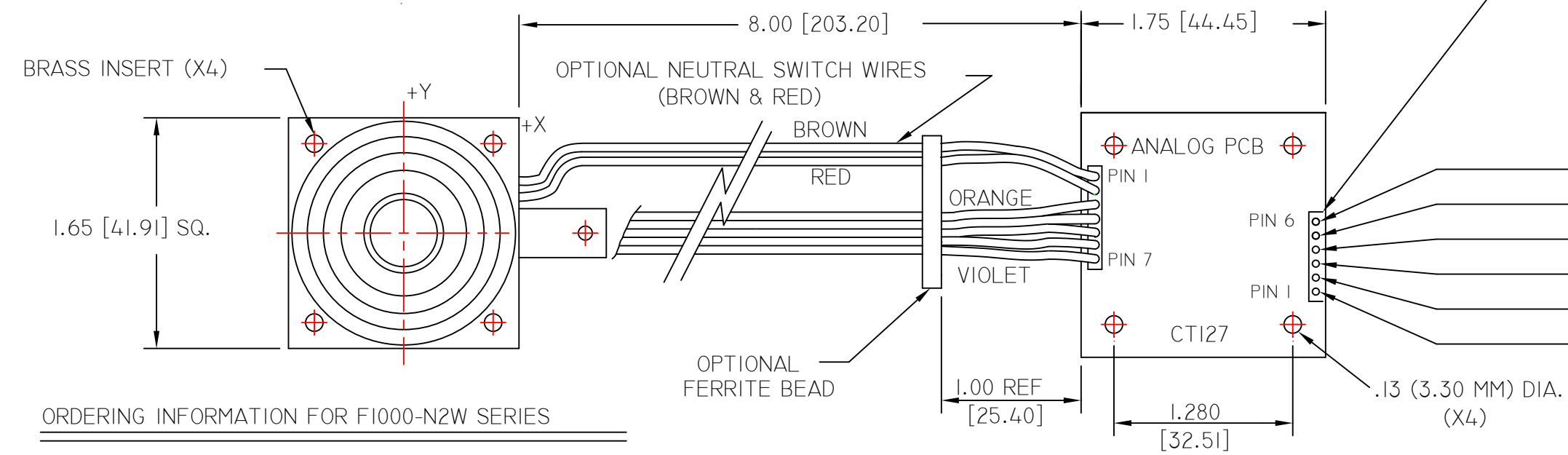
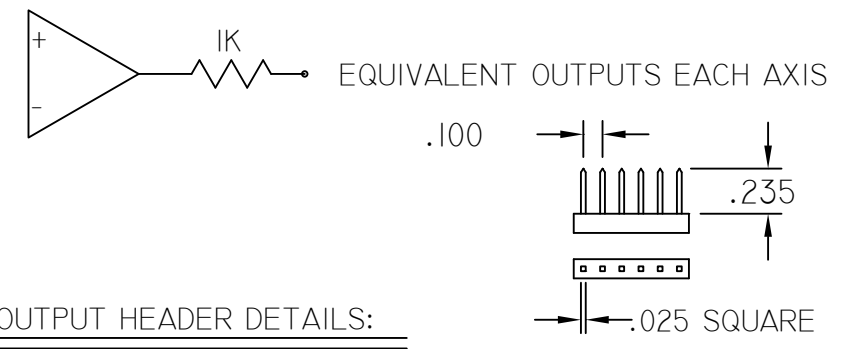
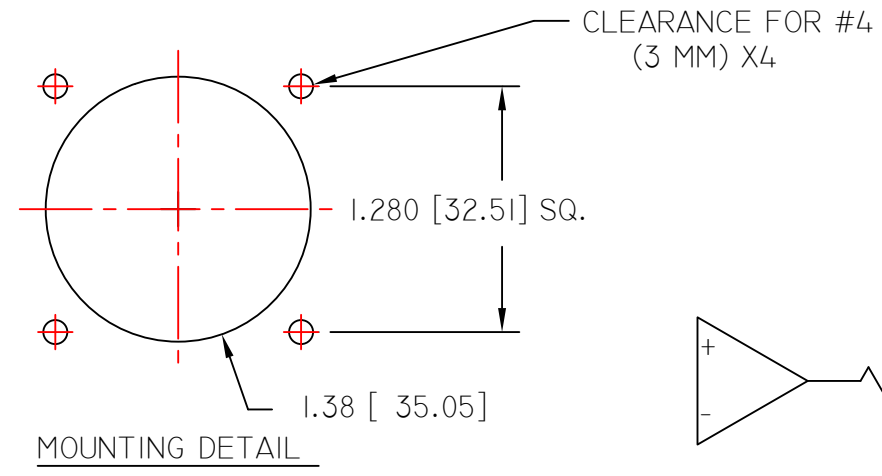


CAUTION
 OPTIONAL CONDUCTIVE FABRIC SHIELD,
 DO NOT LIFT UP BOOT, WILL DAMAGE SHIELD.
 REFERENCE INSTALLATION INSTRUCTION 811810



OUTPUT HEADER DETAILS:
 SOLDER TO HEADER OR USE "AMP"
 6 POSITION CONNECTOR PART No. 1-87499-1
 AND SIX PINS PART No. 102917-2, OR EQUIVALENT.

F1020	F1040 F1050
OPTIONAL NEUTRAL SWITCH	
Y OUT	Y OUT
COMMON	V REF
X OUT	X OUT
-5V	COMMON
+5V	+5V

ORDERING INFORMATION FOR F1000-N2W SERIES

HAS WHITE FDA SILICONE BOOT AND WHITE PVC KNOB, BOTH PARYLENE COATED,

F [] [] [] [] - N2W

- 0 WITHOUT NEUTRAL SWITCH
- 1 NEUTRAL SWITCH (AVAILABLE ON +5V MODELS ONLY)
- 0 STANDARD TWO AXES
- 6 SINGLE "Y" AXIS
- 9 DUAL AXIS NON-SIMULTANEOUS

INPUT	OUTPUT
2 ±5V	±5V
4 +5V	0.5 TO 4.5V
5 +5V	0 TO 5V

- Z CONFORMAL COATING
- F FERRITE BEAD
- E WITHOUT DEADBAND
- G MAXIMUM COMPRESSION SPRING
- S CONDUCTIVE FABRIC SHIELD

NOTES:
 DIMENSIONS ARE IN INCHES [MILLIMETERS]
 REF DWG 761718 FOR ELECTRICAL DETAILS

CTI ELECTRONICS CORPORATION
 WWW.CTIELECTRONICS.COM

NEMA 4 (IP66)
 MEDICAL / CLEANROOM JOYSTICK
 F1000-N2W SERIES

761845

DATE 07-08-16

APPROVED SHEET 1 OF 1 DRAWN BY PSB

COPYRIGHT 2016 CTI ELECTRONICS CORP.
 SPECIFICATIONS SUBJECT TO CHANGE WITHOUT NOTICE