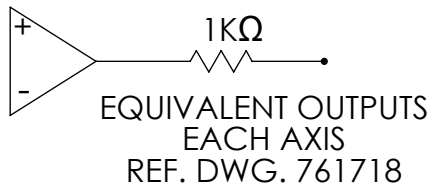


ORDERING INFORMATION

- 1 4-40 THREADED INSERTS
- 3 3MM THREADED INSERTS
- 0 STANDARD TWO AXES
- 6 SINGLE "Y" AXIS
- 9 DUAL AXIS NON-SIMULTANEOUS

- | | |
|--------------|---------------|
| INPUT | OUTPUT |
| 2 ±5V | ±5V |
| 4 +5V | 0.5 TO 4.5V |
| 5 +5V | 0 TO 5V |



F [] [] [] A [] - N3

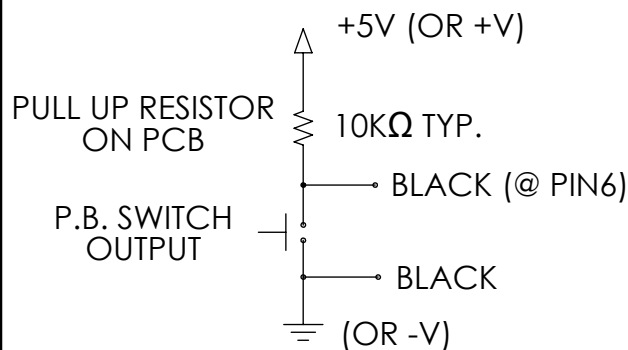
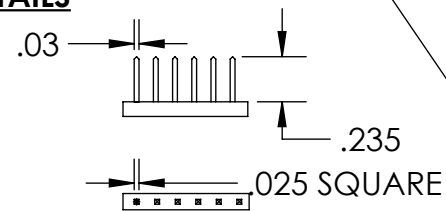
- Z CONFORMAL COATING
- DZ LOW TEMP SPRING AND CONFORMAL COATING
- R CONDUCTIVE BOOT (SILICONE)
- RF CONDUCTIVE BOOT AND FERRITE BEAD
- E WITHOUT DEADBAND
- G MAXIMUM COMPRESSION SPRING
- 0 WITHOUT NEUTRAL SWITCH
- 1 NEUTRAL SWITCH (AVAILABLE ON +5V MODELS ONLY)

SPECIFICATIONS

TEMPERATURE	-40°C TO 80°C
SEALING	NEMA 4 / IP66
WEIGHT	3.8 oz. , 106 g
STANDARDS	CE, RoHS, REACH, IPC 610 CLASS II COMPLIANT

OUTPUT HEADER DETAILS

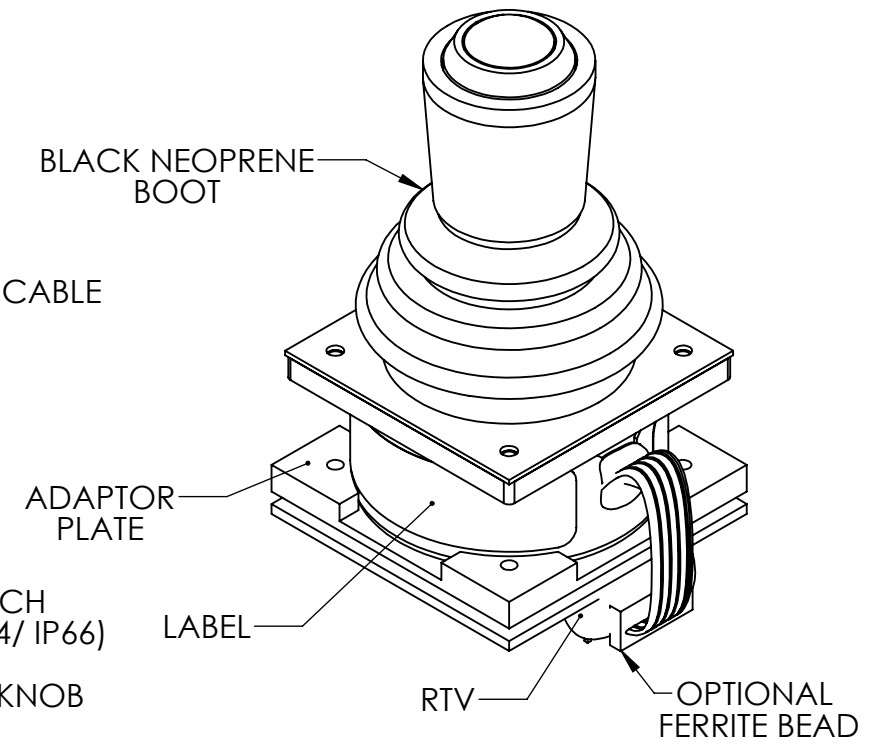
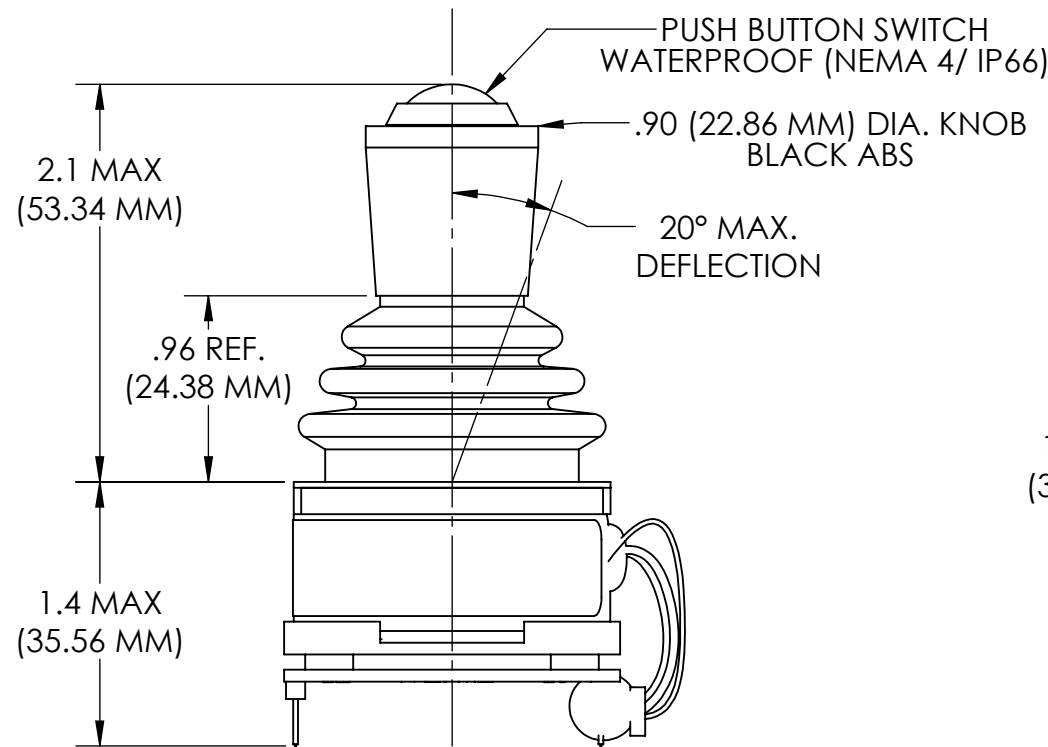
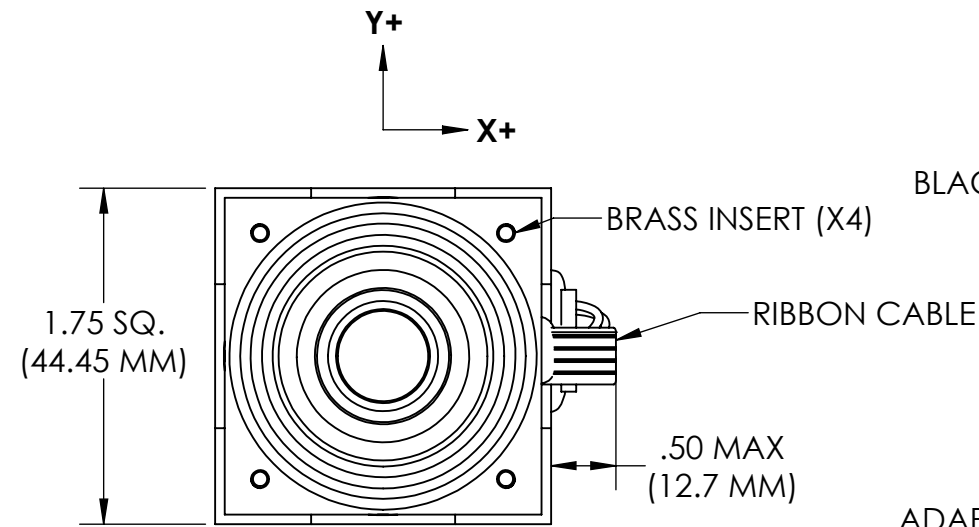
SOLDER TO HEADER OR USE "AMP" 6 POSITION CONNECTOR PART No. 1-87499-1 AND SIX PINS PART No. 102917-2, OR EQUIVALENT



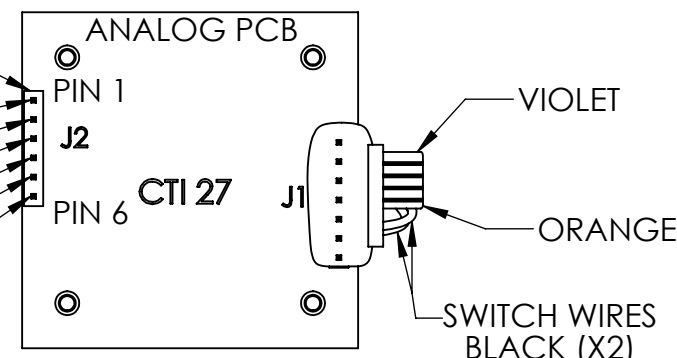
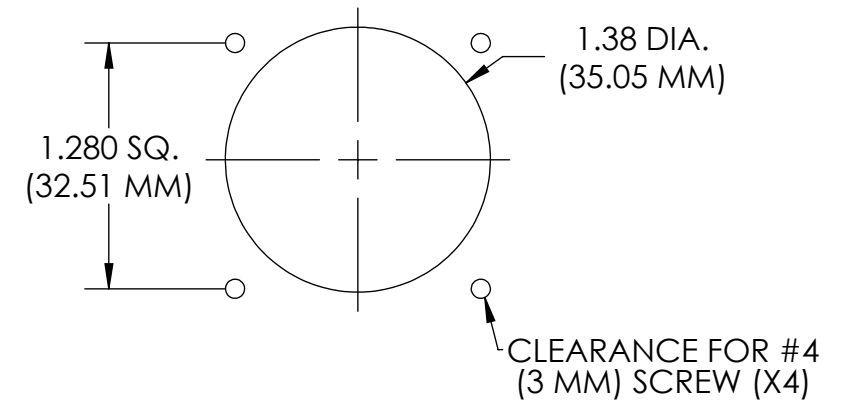
WITH NEUTRAL SWITCH OPTION, BLACK SWITCH WIRES ARE 8.0" LONG & DRY CONTACT ONLY

	F1020	F1040 F1050
	+5V	+5V
	-5V	COMMON
	X OUT	X OUT
	COMMON	V REF.
	Y OUT	Y OUT

PUSH BUTTON SWITCH OR OPTIONAL NEUTRAL SWITCH



MOUNTING DETAIL



NOT CONNECTED TO PCB WITH NEUTRAL SWITCH OPTION

CTI ELECTRONICS CORP.
WWW.CTIELECTRONICS.COM

NEMA 4 / IP66 INDUSTRIAL JOYSTICK F10X0A-N3 SERIES WITH ADAPTOR PLATE

761855

DATE 10-19-15

APPROVED:

SHEET 1 OF 1

DRAWN BY: A.J.K.

COPYRIGHT 2015 CTI ELECTRONICS CORP.
SPECIFICATIONS SUBJECT TO CHANGE WITHOUT NOTICE