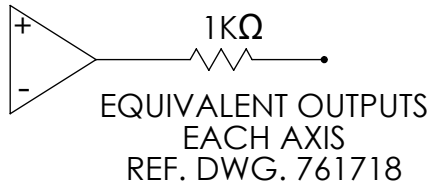


ORDERING INFORMATION FOR F1000A-N3W

HAS WHITE FDA SILICONE BOOT AND WHITE PVC KNOB, BOTH PARYLENE COATED, AND BLUE PUSH BUTTON SWITCH WITH WHITE BEZEL

- 1 4-40 THREADED INSERTS
- 3 3MM THREADED INSERTS
- 0 STANDARD TWO AXES
- 6 SINGLE "Y" AXIS
- 9 DUAL AXIS NON-SIMULTANEOUS

INPUT	OUTPUT
2 ±5V	±5V
4 +5V	0.5 TO 4.5V
5 +5V	0 TO 5V



F [] [] [] A [] - N3W

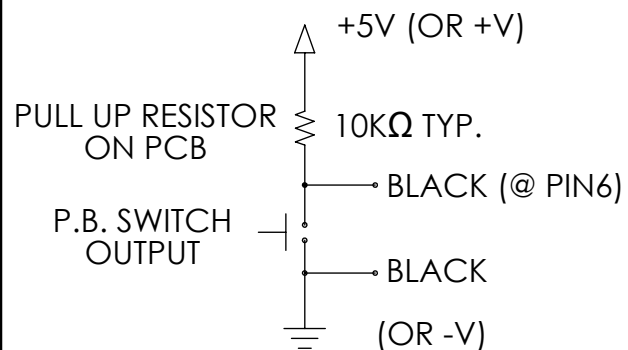
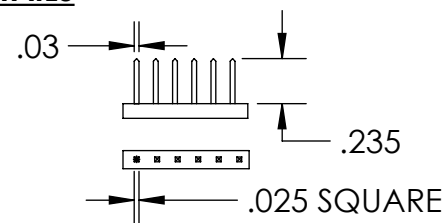
- 0 WITHOUT NEUTRAL SWITCH
- 1 NEUTRAL SWITCH (AVAILABLE ON +5V MODELS ONLY)
- Z CONFORMAL COATING
- F FERRITE BEAD
- E WITHOUT DEADBAND
- G MAXIMUM COMPRESSION SPRING
- S CONDUCTIVE FABRIC SHIELD

SPECIFICATIONS

TEMPERATURE	-40°C TO 80°C
SEALING	NEMA 4 / IP66
WEIGHT	3.8 oz. , 106 g
STANDARDS	CE, RoHS, REACH, IPC 610 CLASS II COMPLIANT

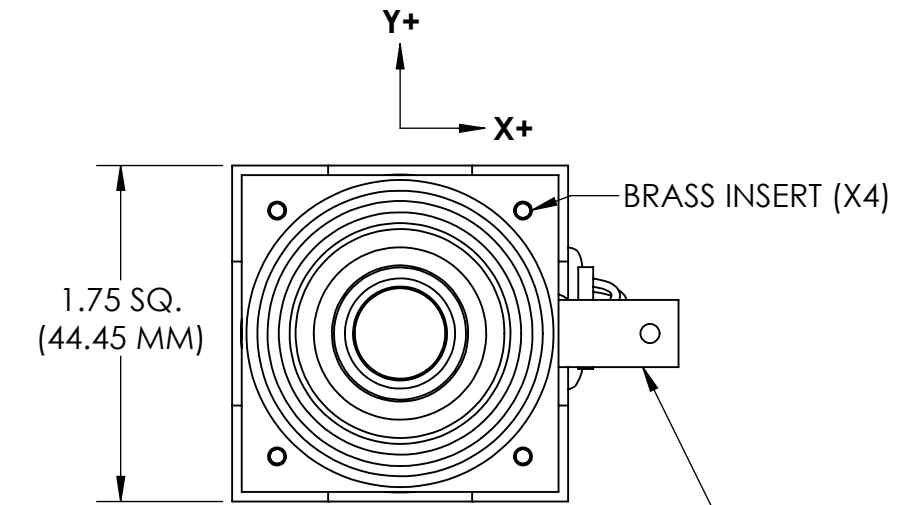
OUTPUT HEADER DETAILS

SOLDER TO HEADER OR USE "AMP" 6 POSITION CONNECTOR PART No. 1-87499-1 AND SIX PINS PART No. 102917-2, OR EQUIVALENT

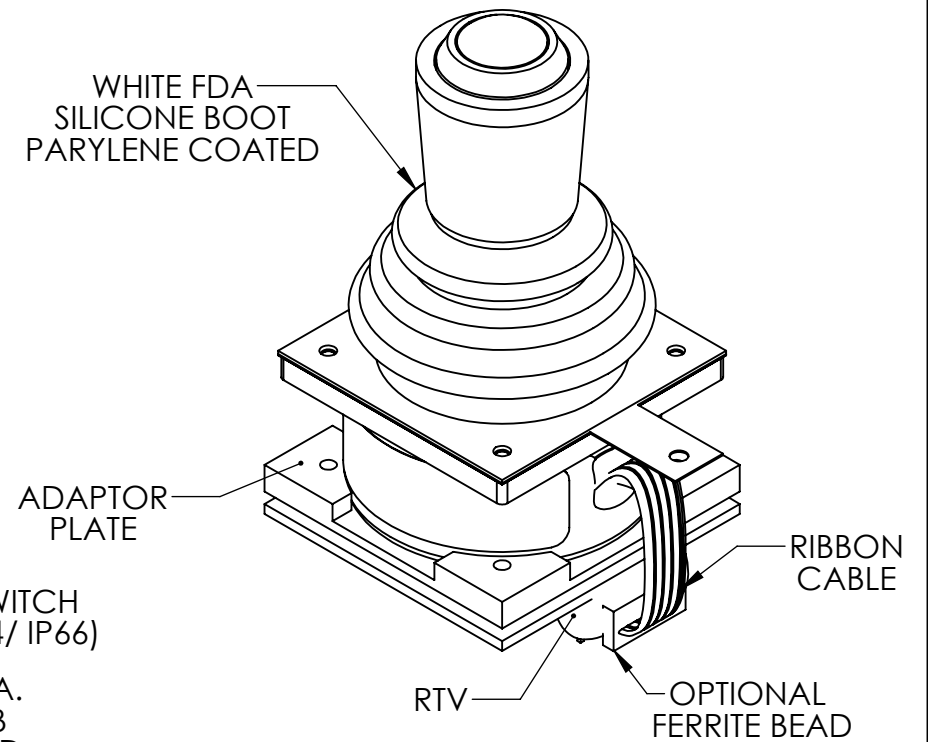
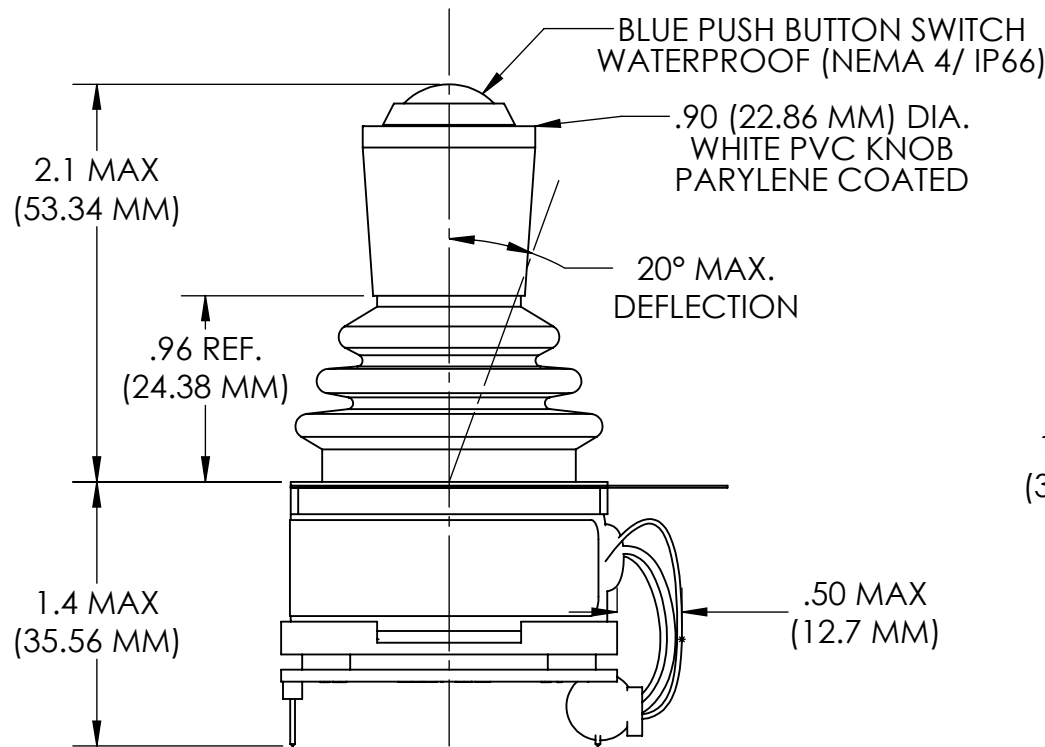


WITH NEUTRAL SWITCH OPTION, BLACK SWITCH WIRES ARE 8.0" LONG & DRY CONTACT ONLY

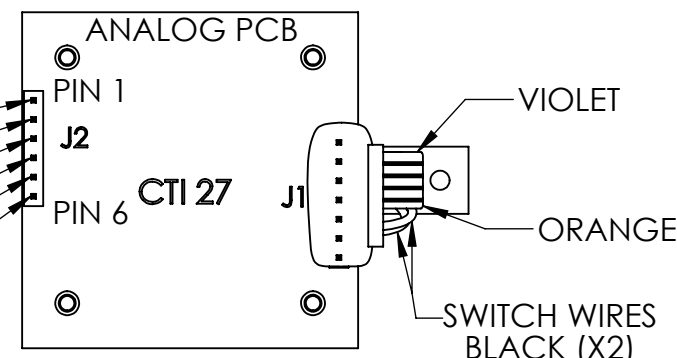
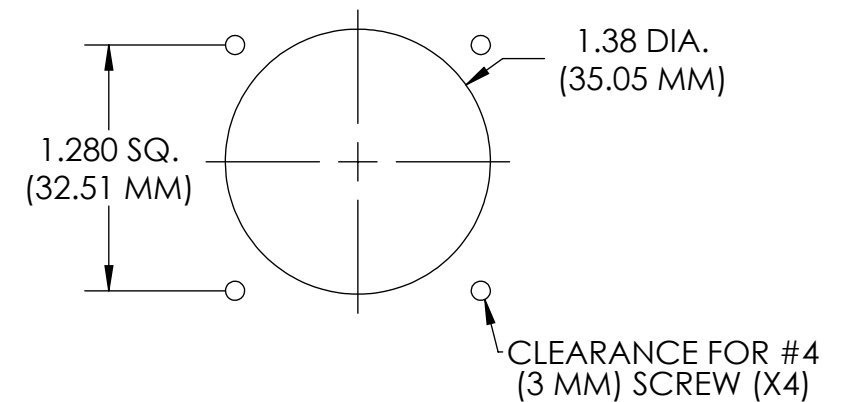
F1020	F1040 F1050
+5V	+5V
-5V	COMMON
X OUT	X OUT
COMMON	V REF.
Y OUT	Y OUT
PUSH BUTTON SWITCH OR OPTIONAL NEUTRAL SWITCH	



CAUTION : OPTIONAL CONDUCTIVE FABRIC SHIELD, DO NOT LIFT UP BOOT, WILL DAMAGE SHIELD REFERENCE INSTALLATION INSTRUCTION 811810



MOUNTING DETAIL



NOT CONNECTED TO PCB WITH NEUTRAL SWITCH OPTION

CTI ELECTRONICS CORP.

WWW.CTIELECTRONICS.COM

NEMA 4 / IP66 MEDICAL / CLEANROOM JOYSTICK F10X0A-N3W SERIES WITH ADAPTOR PLATE

761858

DATE 6-27-16

APPROVED:

SHEET 1 OF 1

DRAWN BY: A.J.K.

COPYRIGHT 2016 CTI ELECTRONICS CORP. SPECIFICATIONS SUBJECT TO CHANGE WITHOUT NOTICE