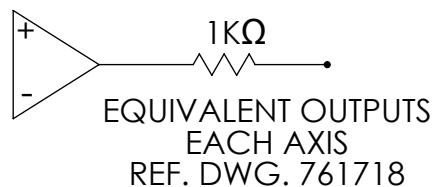


ORDERING INFORMATION FOR F1000A-N33W

HAS WHITE FDA SILICONE BOOT AND WHITE PVC KNOB, BOTH PARYLENE COATED, AND BLUE PUSH BUTTON SWITCH WITH WHITE BEZEL

- 1 4-40 THREADED INSERTS
- 3 3MM THREADED INSERTS
- 0 STANDARD TWO AXES
- 6 SINGLE "Y" AXIS
- 9 DUAL AXIS NON-SIMULTANEOUS

INPUT	OUTPUT
2 ±5V	±5V
4 +5V	0.5 TO 4.5V
5 +5V	0 TO 5V



F [] [] [] A [] - N33W

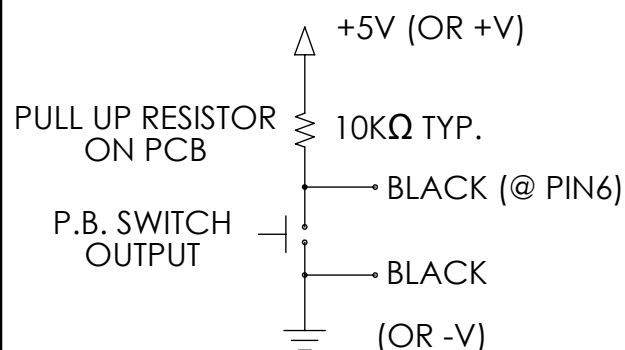
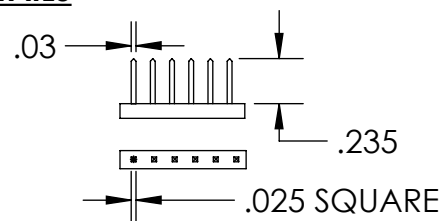
- 0 WITHOUT NEUTRAL SWITCH
- 1 NEUTRAL SWITCH (AVAILABLE ON +5V MODELS ONLY)
- Z CONFORMAL COATING
- F FERRITE BEAD
- E WITHOUT DEADBAND
- G MAXIMUM COMPRESSION SPRING
- S CONDUCTIVE FABRIC SHIELD

SPECIFICATIONS

TEMPERATURE	-40°C TO +80°C
SEALING	NEMA 4 / IP66
WEIGHT	4 oz. , 112 g
STANDARDS	CE, RoHS, REACH, IPC 610 CLASS II COMPLIANT

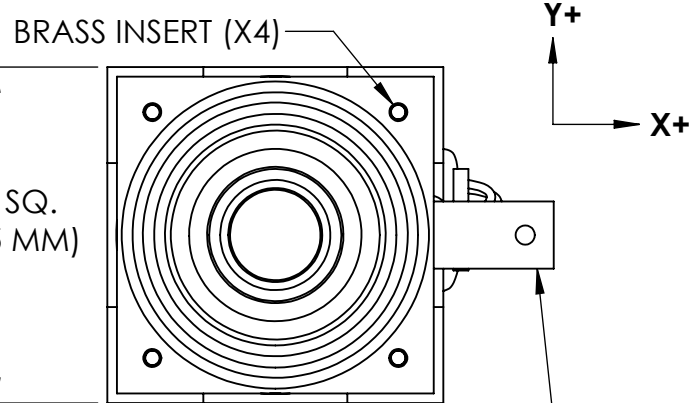
OUTPUT HEADER DETAILS

SOLDER TO HEADER OR USE "AMP" 6 POSITION CONNECTOR PART No. 1-87499-1 AND SIX PINS PART No. 102917-2, OR EQUIVALENT

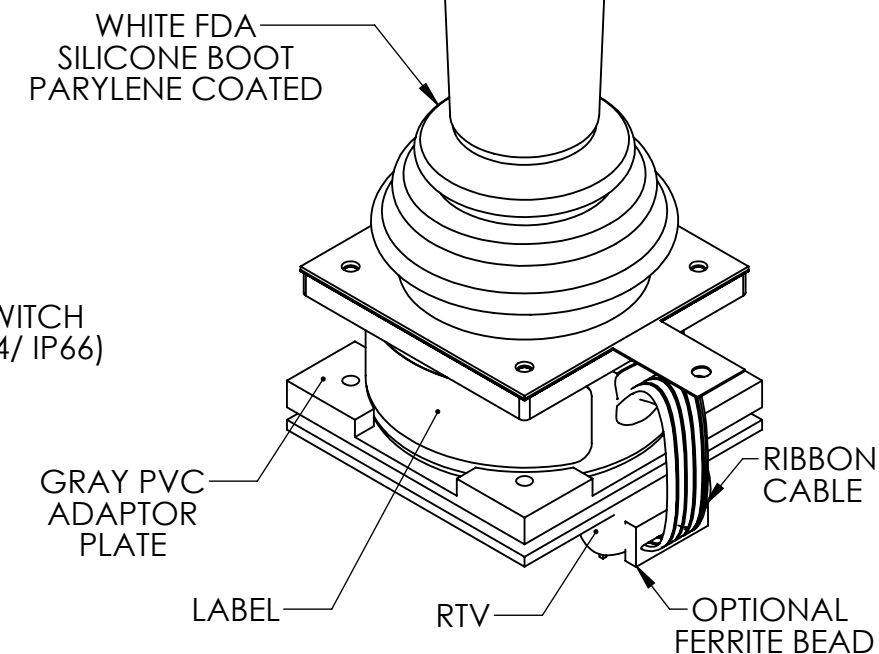
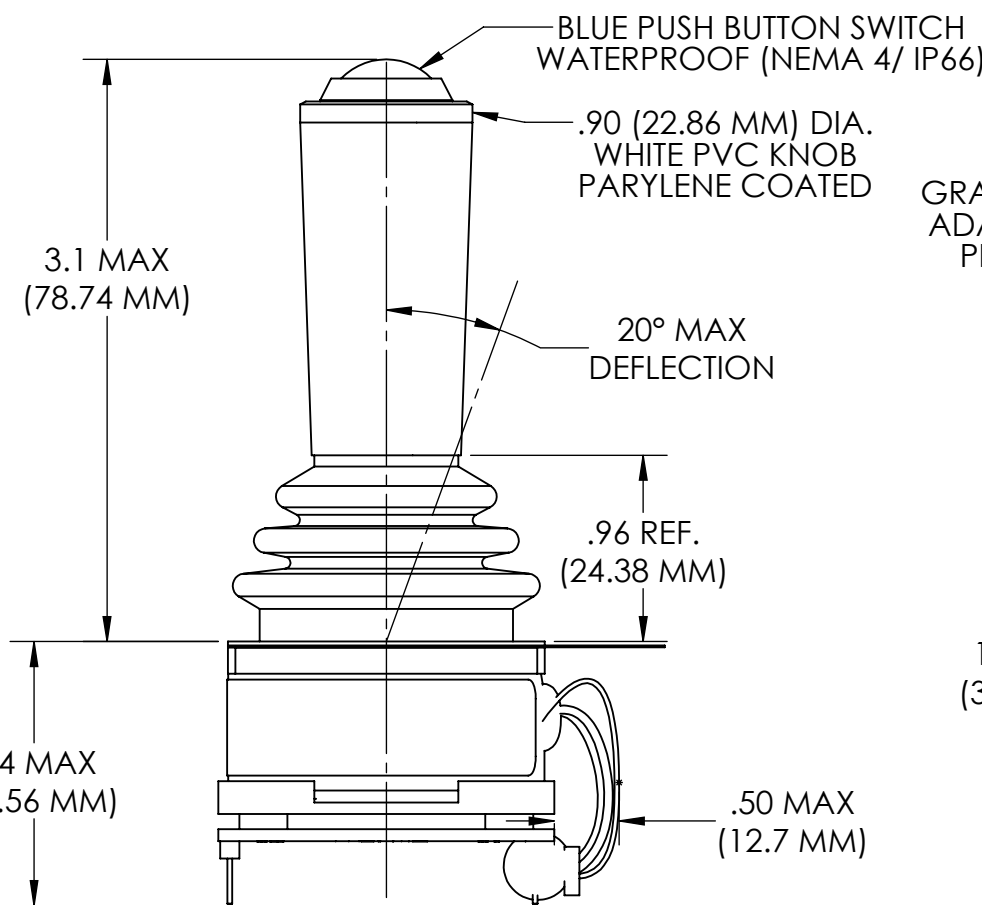


WITH NEUTRAL SWITCH OPTION, BLACK SWITCH WIRES ARE 8.0" LONG & DRY CONTACT ONLY

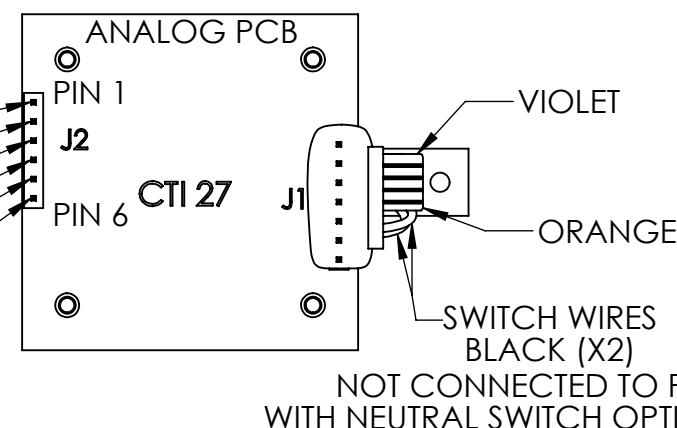
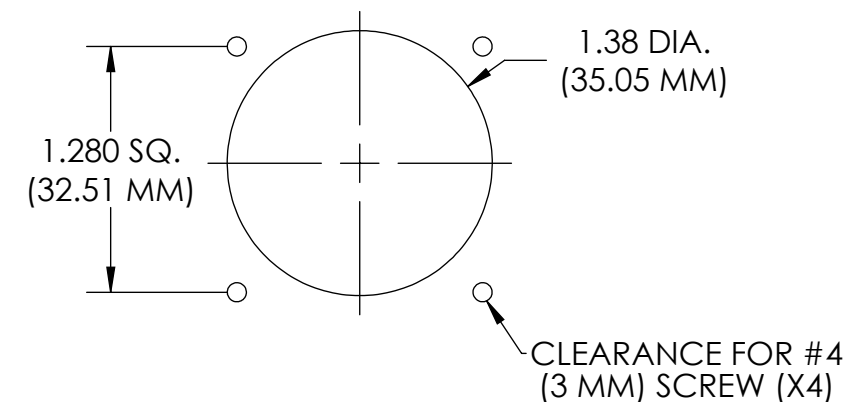
F1020	F1040 F1050
+5V	+5V
-5V	COMMON
X OUT	X OUT
COMMON	V REF.
Y OUT	Y OUT
PUSH BUTTON SWITCH OR OPTIONAL NEUTRAL SWITCH	



CAUTION : OPTIONAL CONDUCTIVE FABRIC SHIELD, DO NOT LIFT UP BOOT, WILL DAMAGE SHIELD REFERENCE INSTALLATION INSTRUCTION 811810



MOUNTING DETAIL



CTI ELECTRONICS CORP.

WWW.CTIELECTRONICS.COM

NEMA 4 / IP66 MEDICAL / CLEANROOM JOYSTICK F10X0A-N33W SERIES WITH ADAPTOR PLATE

761859

DATE 6-27-16

APPROVED:

SHEET 1 OF 1

DRAWN BY: A.J.K.

COPYRIGHT 2016 CTI ELECTRONICS CORP. SPECIFICATIONS SUBJECT TO CHANGE WITHOUT NOTICE