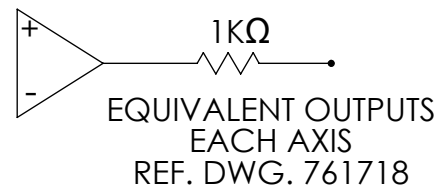


ORDERING INFORMATION

- 1 4-40 THREADED INSERTS
- 3 3MM THREADED INSERTS

INPUT	OUTPUT
2 ±5V	±5V
4 +5V	0.5 TO 4.5V
5 +5V	0 TO 5V



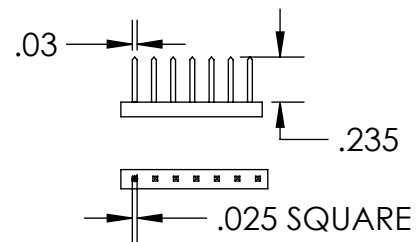
F 8 A -

- N82 STANDARD DELRIN KNOB
- N8A ALUMINUM KNOB, WITH KNURL
- Z CONFORMAL COATING
- R CONDUCTIVE BOOT (SILICONE)
- RF CONDUCTIVE BOOT AND FERRITE BEAD
- G MAXIMUM COMPRESSION SPRING (X & Y AXIS)
- 0 WITHOUT NEUTRAL SWITCH
- 1 NEUTRAL SWITCH (AVAILABLE ON +5V MODELS ONLY)

SPECIFICATIONS

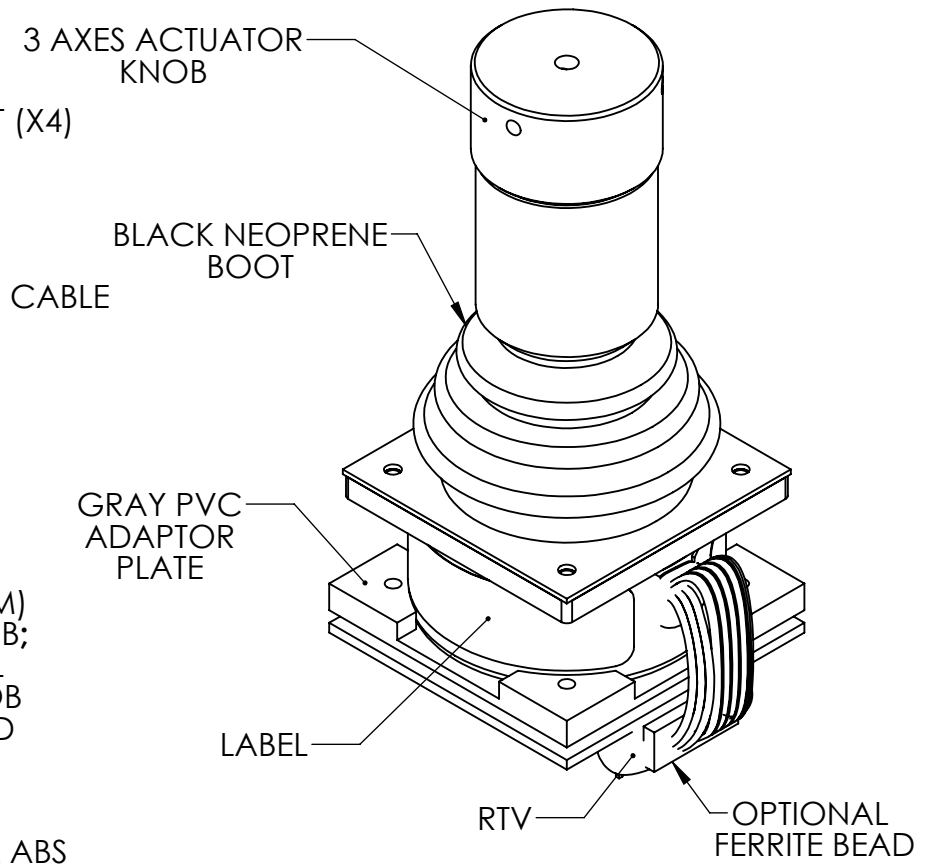
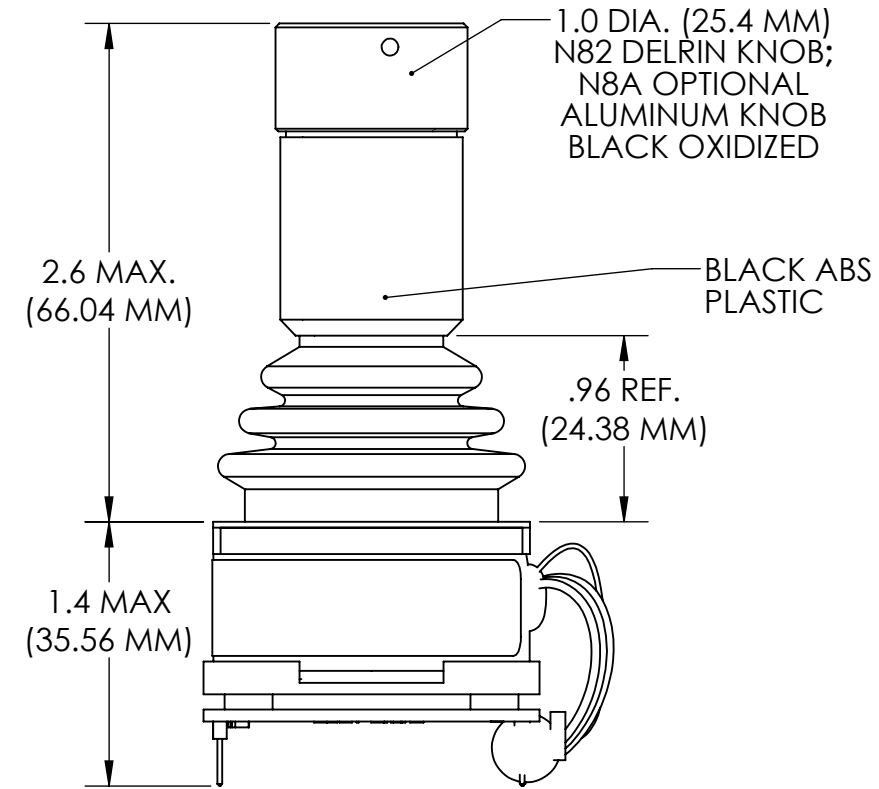
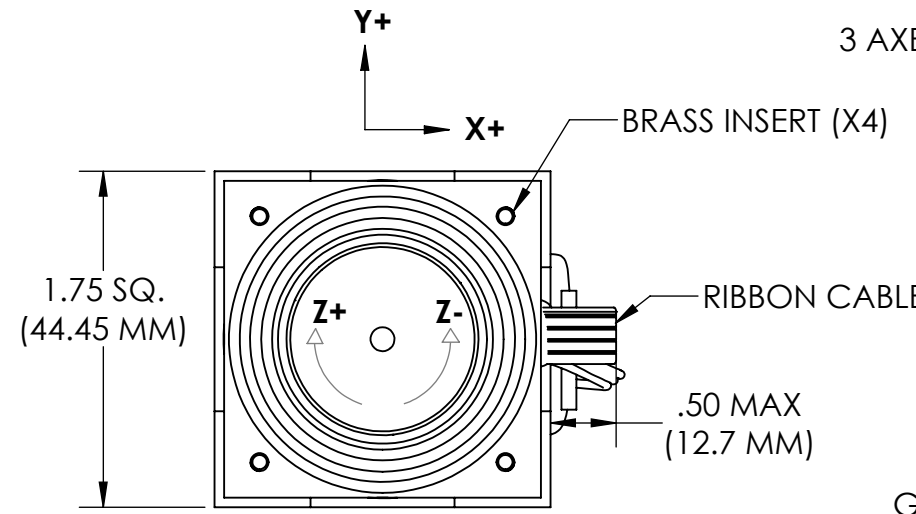
TEMPERATURE	-40°C TO +80°C
SEALING	NEMA 4 / IP66
WEIGHT	4.48 oz. , 127 g
STANDARDS	CE, RoHS, REACH, IPC 610 CLASS II COMPLIANT

OUTPUT HEADER DETAILS

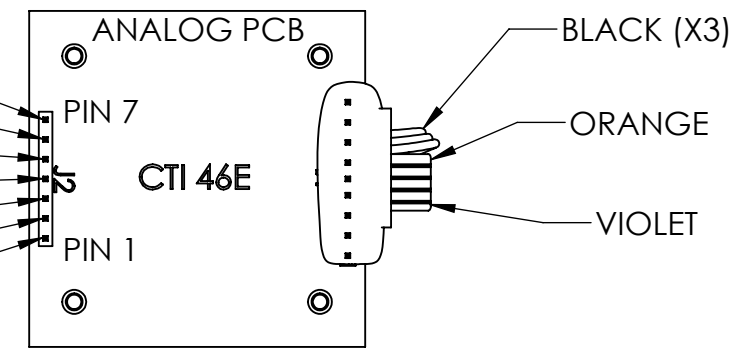
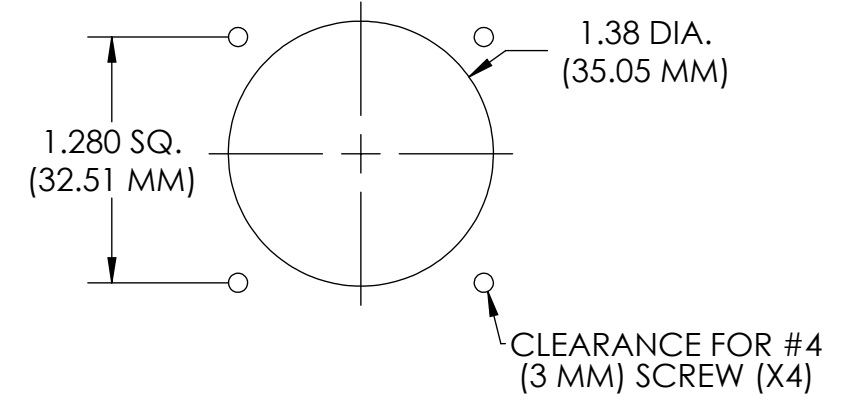


SOLDER TO HEADER OR USE "AMP" 6 POSITION CONNECTOR PART No. 1-87499-1 AND SIX PINS PART No. 102917-2, OR EQUIVALENT

F1820	F1840 F1850
Z OUT	Z OUT
NOT CONNECTED	OPTIONAL NEUTRAL SWITCH
Y OUT	Y OUT
COMMON	V REF.
X OUT	X OUT
-5V	COMMON
+5V	+5V



MOUNTING DETAIL



CTI ELECTRONICS
WWW.CTIELECTRONICS.COM

NEMA 4X / IP66 INDUSTRIAL JOYSTICK F18X0A-N82 SERIES WITH ADAPTOR PLATE

761867

APPROVED:	SHEET 1 OF 1	DATE 8-8-17
		DRAWN BY: A.J.K.

COPYRIGHT 2017 CTI ELECTRONICS
SPECIFICATIONS SUBJECT TO CHANGE WITHOUT NOTICE