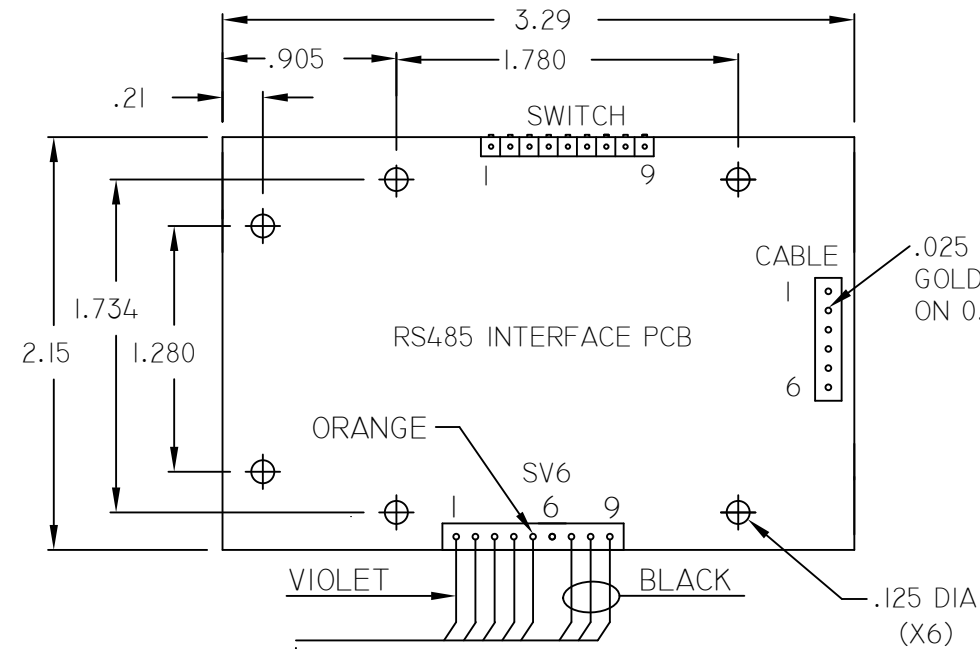
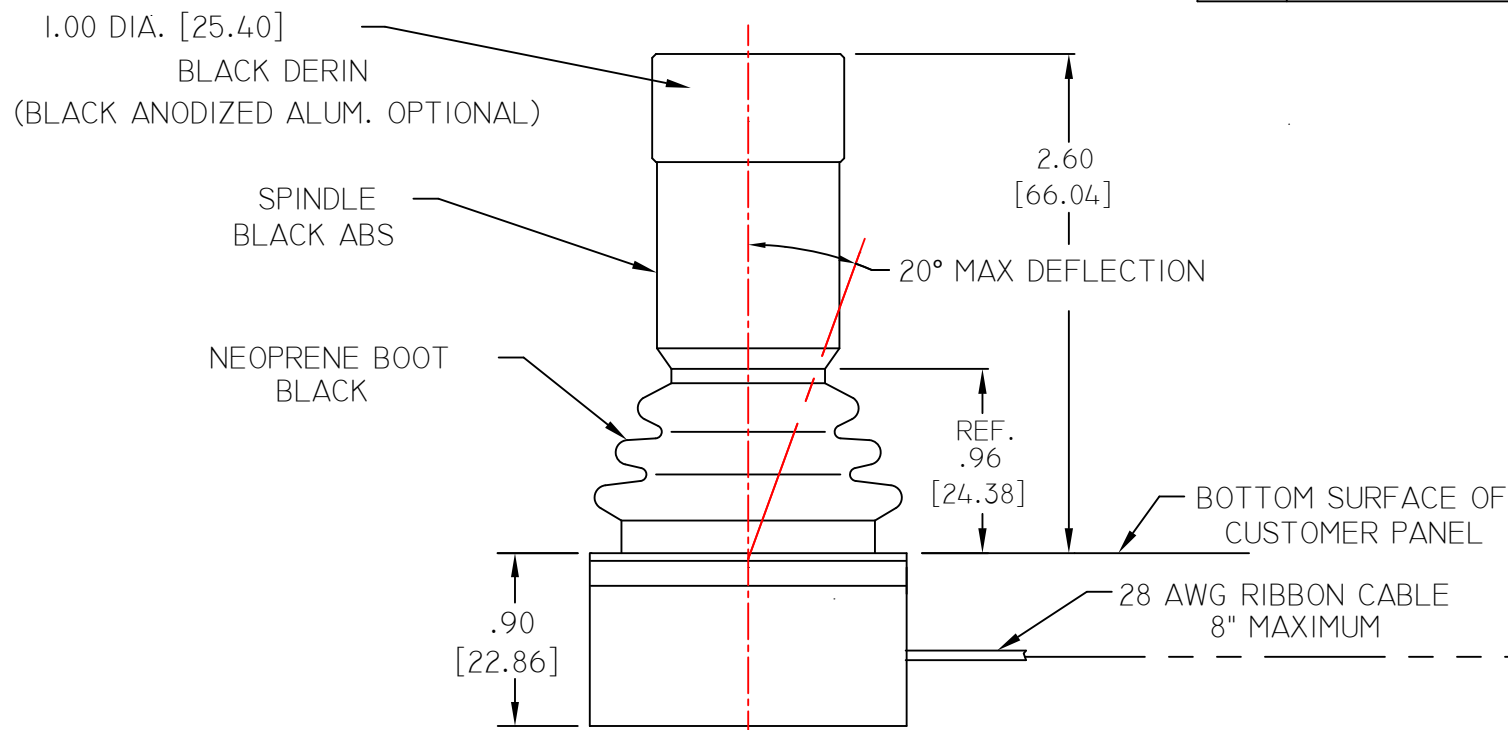
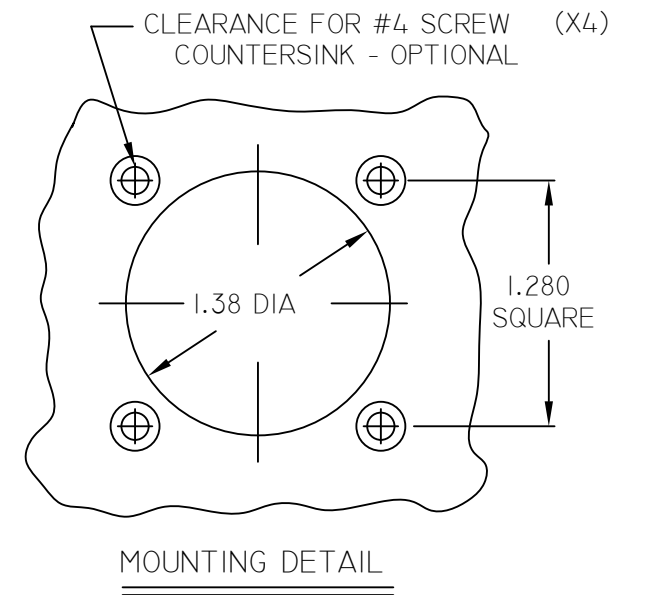


SWITCH HEADER	
PIN	FUNCTION
1	LEFT SWITCH
2	MIDDLE
3	RIGHT SWITCH
4	COMMON
5	LED (-)
6	LED (+)
7	_____
8	_____
9	_____

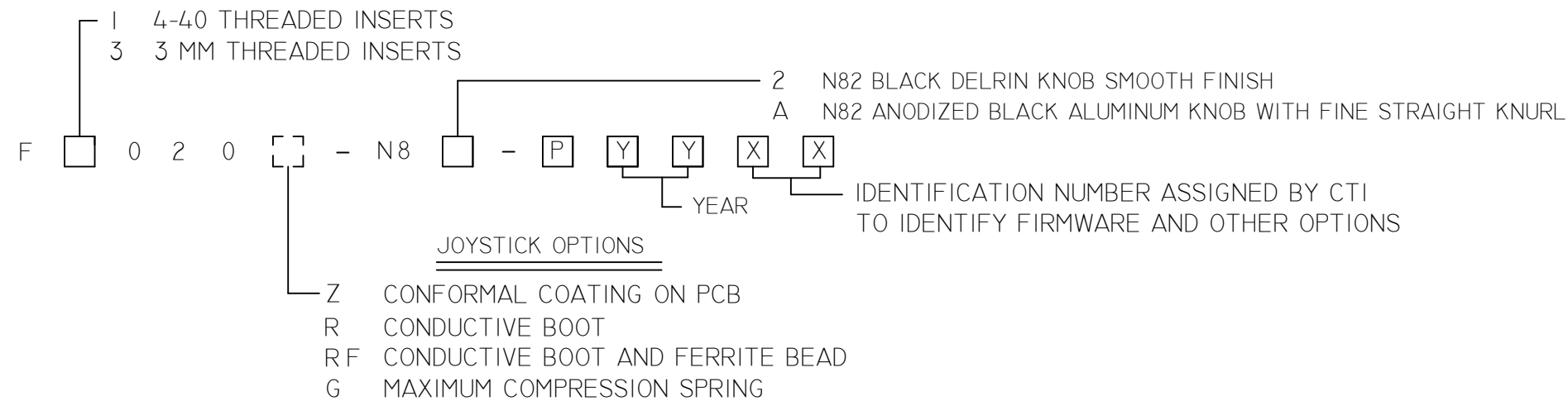


OUTPUT HEADER	
PIN	FUNCTION
CABLE 1	+5V SUPPLY
CABLE 2	TXD
CABLE 3	TXD
CABLE 4	RXD
CABLE 5	RXD
CABLE 6	COMMON



NOTES:
 1.) REFERENCE WIRING DIAGRAM 791769
 2.) RS485 TERMINATION RESISTOR IS 1K OHM
 3.) TYPICAL PROTOCOL REFERENCE IJ083-2
 DIMENSIONS ARE IN INCHES [MILLIMETERS]

ORDERING INFORMATION:



CTI ELECTRONICS CORPORATION
 WWW.CTIELECTRONICS.COM

3 AXES OEM INDUSTRIAL JOYSTICK,
 NEMA I2 (IP54)
 WITH RS485 SERIAL INTERFACE

761879 DATE 03-23-17
 DRAWN BY PSB

APPROVED SHEET 1 OF 1

COPYRIGHT 2017 CTI ELECTRONICS CORP.
 SPECIFICATIONS SUBJECT TO CHANGE WITHOUT NOTICE