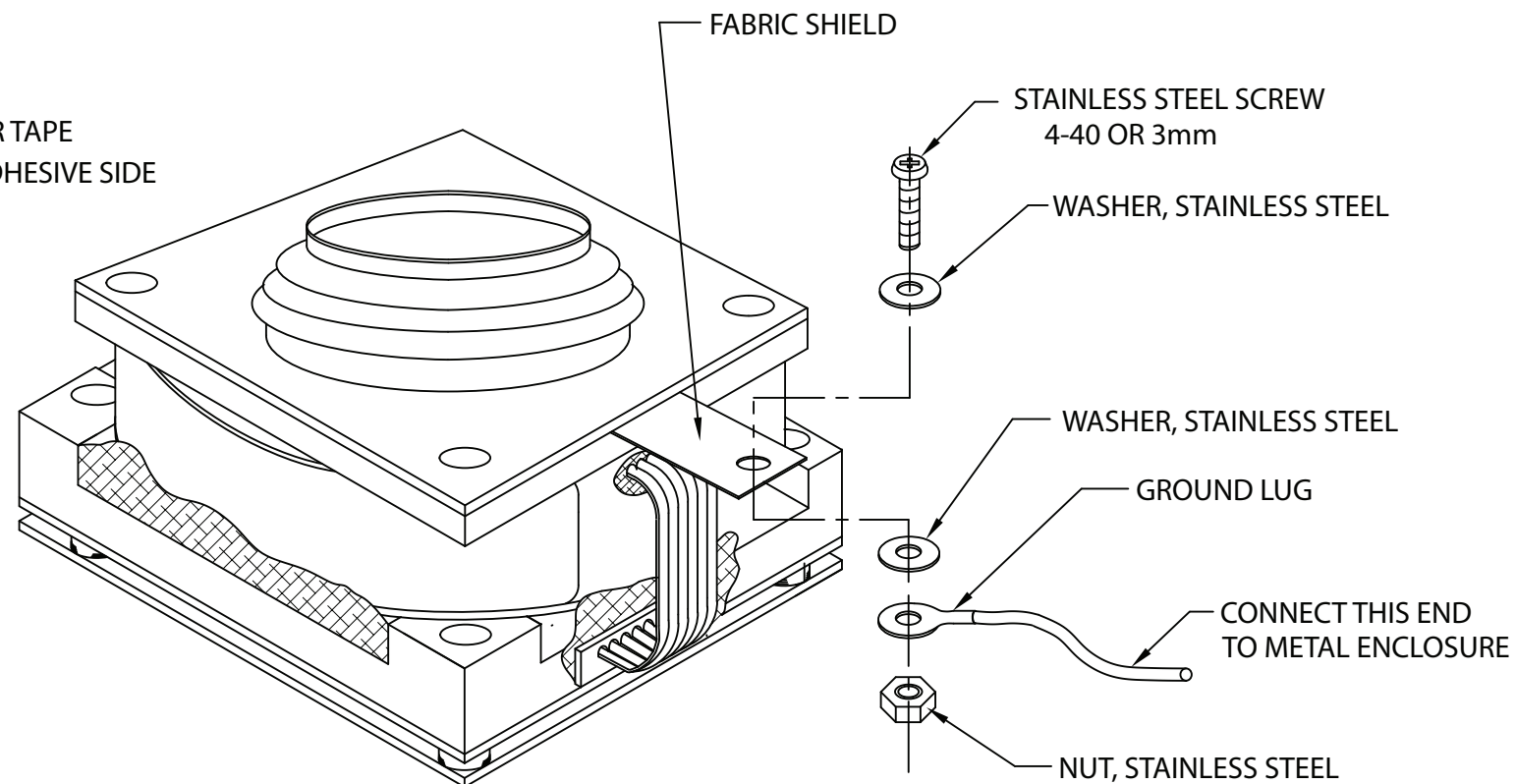


**“A” OPTION**

**CONDUCTIVE FABRIC SHIELD GROUNDING OPTION**

IF BOTTOM SURFACE OF ENCLOSURE IS UNPAINTED CONDUCTIVE METAL, USE COPPER TAPE PROVIDED BY CTI. REMOVE PROTECTIVE FILM AND INSTALL AS SHOWN.

COPPER TAPE  
CONDUCTIVE ADHESIVE SIDE



**“B” OPTION**

**ALTERNATE METHOD:**

PARTS SUPPLIED BY CUSTOMER

CAUTION: DO NOT LIFT UP BOOT, WILL DAMAGE SHIELD.

**CTI** ELECTRONICS CORPORATION  
WWW.CTIELECTRONICS.COM

CONDUCTIVE FABRIC SHIELD  
GROUNDING DETAILS

**811810**

SCALE 1-1

DRAWN BY PSB

APPROVED

DATE 11-03-16