

F60U0-NxW Medical Mouse

NEMA 4 (IP66) OEM MEDICAL MOUSE

F60U0-NxW OEM MEDICAL MOUSE

CTI's OEM Medical Mouse is a cursor controller or pointing device that is uniquely designed for usage in areas where ensured cleaning, disinfecting, or sterilization is a necessity. The open frame structure with ample ribbon cable offers the medical device manufacturer ease of placement of the interface PCB and three button switchpad. An advanced molecular bonding coating process seals the Medical Mouse against penetration from biohazard materials. With unmatched reliability and durability under harsh conditions the Medical Mouse is guaranteed to provide many years of uninterrupted service, [take a look here.](#)

The NEMA 4 (IP66) sealing Medical Mouse is unaffected by extreme temperatures or exposure to harsh solid and/or liquid contaminants. The Medical Mouse is a very precise pointing device with three standard left, middle, and right mouse buttons. The optional N3W and N33W joysticks have an additional left mouse button on top of the joystick for rapid point and click selection capability, even while wearing safety gloves.

CTI's confidence in the OEM Medical Mouse is backed by a One Year Warranty. A thorough analysis of healthcare safety, productivity enhancements, and financial savings solidifies the investment decision. For clinicians and laboratory scientists, the ability to hygienically cleanse the Medical Mouse of infectious particles and pathogens will ensure a healthier and safer environment.



• Shown above F60U0-N24W Medical Mouse

F60U0-NxW STANDARD FEATURES

- Standard Operating Temperature -0°C to 80°C (32°F to 176°F)
- Optional Operating Temperature -40°C to 80°C (-40°F to 176°F) - Low Temperature Spring
- Non-contacting sensors and Sub-Assemblies with high reliability and durability (MTBF 100,000+ hours, 10,000,000+ deflections)
- Molded rubber elastomer keys rated for 10 million activations
- White FDA Silicone Boot - NEMA 4 (IP66) sealing - Operation in harsh environmental conditions
- Parylene Coated boot, knob, and switchpad
- Signal Interference protection (EMI/RFI)
- Joystick movement is Spring Return to Center
- Conformal Coating of PCB protects electronic components
- Optional USB cable with "A" Plug (1.0 - 9.5ft)
- Left Mouse Button on top of N3W and N33W joystick knob
- Threaded Brass Inserts - Provides reliable and secure NEMA 4 (IP66) sealing and eliminates breakage issues

F60U0-NxW TECHNICAL DRAWINGS

- [761847](#) [F60U0-N2W NEMA 4 \(IP66\) Medical Mouse](#)
- [761846](#) [F60U0-N24W NEMA 4 \(IP66\) Medical Mouse](#)

F60U0-NxW MANUFACTURING OPTIONS

G	Maximum Compression Spring for Optional Temperature Range
Z	Conformal Coating for CTI-67 PCB
x.x	USB Cable with USB "A" Plug (1.0-9.5ft, in half foot increments)
0	4-40 Threaded Brass Inserts (US Thread)
3	3mm Threaded Brass Inserts (Metric Thread)

*For complete ordering information please refer to Technical Drawings

F60U0-NxW JOYSTICK KNOB OPTIONS



N2W

N24W

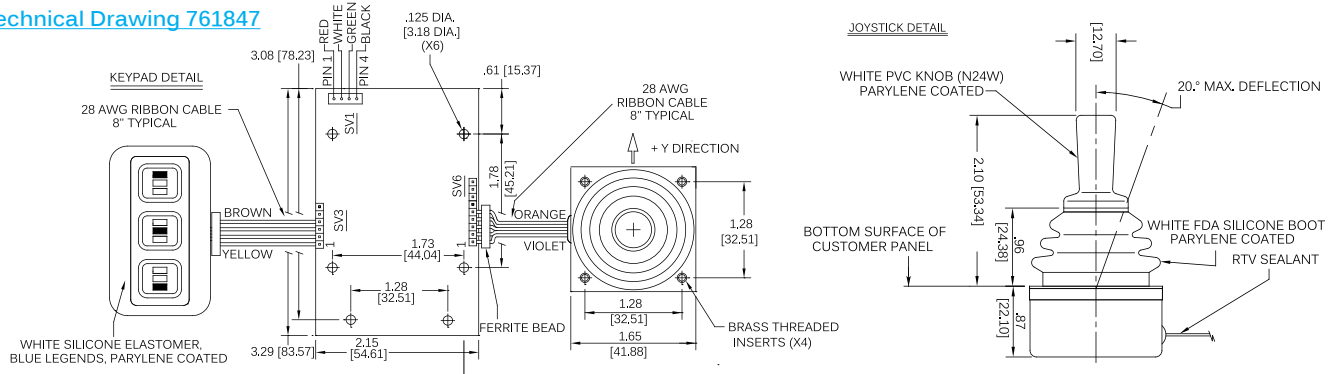
N3W

N33W

For more information please refer to [Joystick Knob Options Drawing 761873](#)

F60U0-N24W TECHNICAL DRAWING

See [CTI Technical Drawing 761847](#)





when reliability is critical™

F60U0-NxW Medical Mouse

NEMA 4 (IP66) OEM MEDICAL MOUSE

F60U0-NxW SPECIFICATION

N2W Joystick Dimensions	Length x Width: 1.28" SQ (32.51mm SQ)	Height Above Panel: 1.6" (40.64mm)	Depth Below Panel: 3.13" (79.50mm)
N24W Joystick Dimensions	Length x Width: 1.28" SQ (32.51mm SQ)	Height Above Panel: 2.1" (54.36mm)	Depth Below Panel: 3.63" (92.20mm)
N3W Joystick Dimensions	Length x Width: 1.28" SQ (32.51mm SQ)	Height Above Panel: 2.1" (54.36mm)	Depth Below Panel: 3.63" (92.20mm)
N33W Joystick Dimensions	Length x Width: 1.28" SQ (32.51mm SQ)	Height Above Panel: 3.1" (78.74mm)	Depth Below Panel: 4.63" (117.60mm)
CTI-67 PCB Dimensions	Length: 3.29" (83.57mm)	Width: 2.15" (54.61mm)	Overall Height 0.40" (10.21mm)
Switch Pad Dimensions	Length: 2.66" (67.56mm)	Width: 1.33" (33.78mm)	Overall Height 0.30" (7.59mm)
Operating Systems	Microsoft Windows® Operating System (Windows XP, Windows 7, Windows 8, Windows 10)		
	Mac OS X® or Linux OS requires compliant USB Device Class Definition for Human Interface Devices 1.11		

F60U0-NxW ELECTRICAL SPECIFICATION

MTBF	Greater than 100,000 hours
Cabling	Optional USB with "A" Plug (1.0-9.5ft, in half foot increments)
Power	+5V with less than 100mA (USB Port Standard)

F60U0-NxW MECHANICAL SPECIFICATION

N2W Specifications	Knob Type Non-Pushbutton	Sensor Technology Inductive	
N24W Specifications	Knob Type Non-Pushbutton	Sensor Technology Inductive	
N3W Specifications	Knob Type Pushbutton	Sensor Technology Inductive / Momentary Pushbutton	
N33W Specifications	Knob Type Pushbutton	Sensor Technology Inductive / Momentary Pushbutton	
Life Expectancy (Joystick)	X & Y Axes 10,000,000 random deflections	Normally Open Momentary Pushbutton 1,000,000+ cycles	
Life Expectancy (Switchpad)	Normally Open Momentary Switches 10,000,000+ activations		
Joystick Movement	Simultaneous X & Y Axes Spring Return to Center		
Joystick Operational Force	X & Y Breakout Force 140g (typical)	X & Y Full Scale Force 235g (typical)	
Shock (Joystick)	Peak Value 30g (typical)	Peak Duration 11ms	Waveform Half Sine
Shock (Switchpad)	Peak Value 50g (typical)	Peak Duration 11ms	Waveform Half Sine
Vibration	Frequency / Displacement	5-25 Hz / 0.1" (typical)	25-55 Hz / 0.03" (typical)

F60U0-NxW ENVIRONMENTAL SPECIFICATION

Operating Temperature	-0° to 80° C / 32° to 176° F	-40° to 80° C / -40° to 176° F (Optional)
Storage Temperature	-40° to 80° C / -40° to 176° F	
Relative Humidity	100% condensing (when installed properly)	
Sealing Rating	NEMA 4 (IP66) (when installed properly)	
Protection	Parylene Coated boot, knob, and switchpad - toughest molecular barrier protection	

CONFORMANCE / CERTIFICATIONS / COMPLIANCE

subject to manufacturing options applied

U.S.A. Standards	U.S. FCC 47 CFR 15 Class A & B	RF Emissions Compliant 8Kv (Contact), 15Kv (Air)
	MIL-STD-461F	Radiated Emissions and Susceptibility Conformance
	MIL-STD-810G	Protection against humidity, fungus, and salt spray Conformance
	MIL-STD-901D	Protection against shock Conformance
	MIL-STD-167-1	Protection against vibration Conformance
	MIL-STD-1472G	Human Factors Conformance
	MIL-I-45208	Quality System Conformance
	IPC-A-610 II	Acceptability of Electronics Assemblies Certification
European Standards	ISO 9001:2008 (Registration No. 74 300 3983)	
	"CE" Compliant	
	Restriction of Hazardous Substance (RoHS) Directive Compliant	
	Regulation on Registration, Evaluation, Authorisation and Restriction of Chemicals (REACH) Directive Compliant	
International Standards	IEC 61000-4-2 and EN61000-4-2	ESD 8Kv contact and 15Kv air Conformance
	IEC 61000-4-3 and EN61000-4-3	Radiated Emissions and Susceptibility Conformance
	IEC 61000-6-3 and EN61000-6-3	Electromagnetic Compatibility Conformance