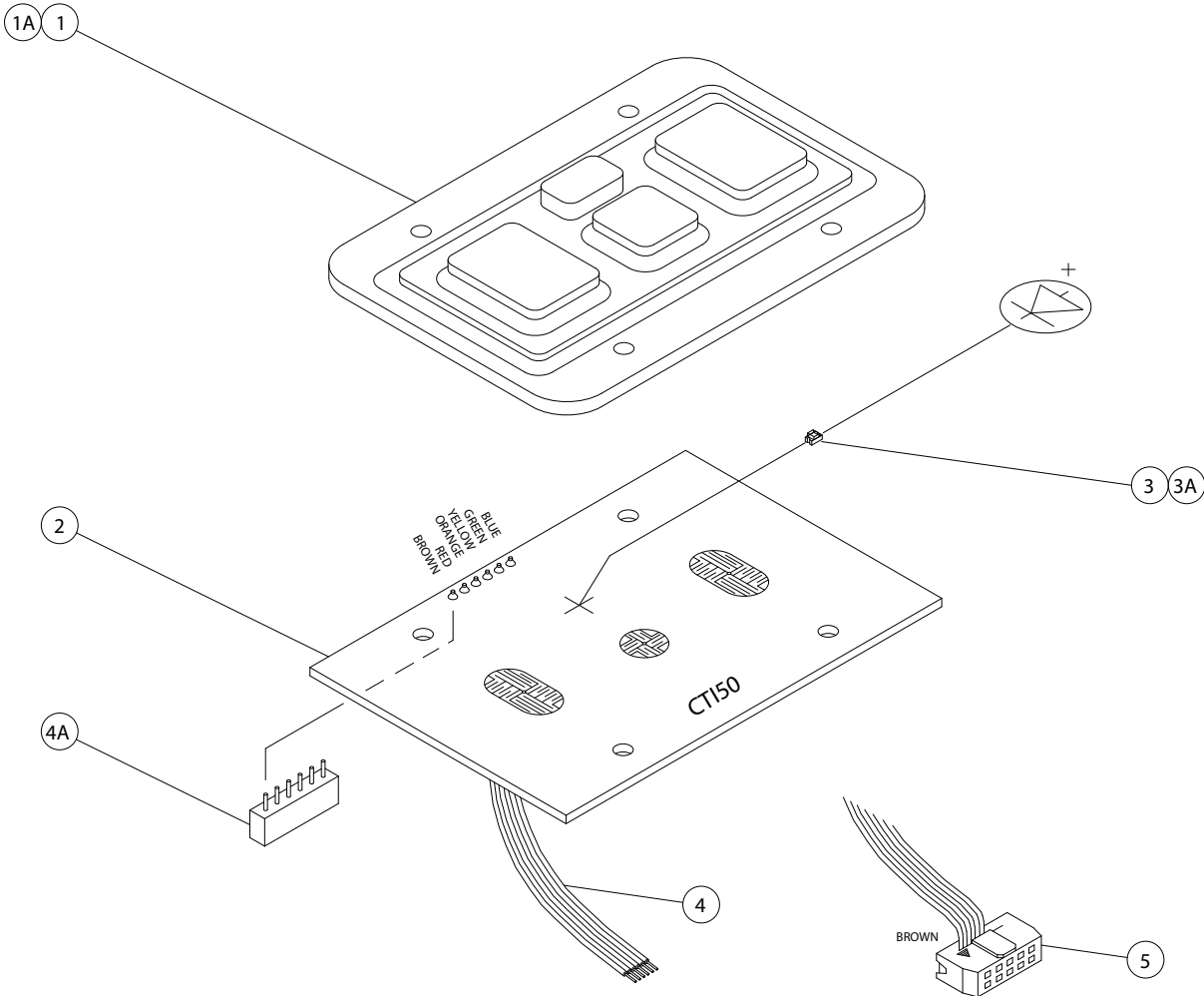


Recipient agrees to the following:

1. To hold information in confidence.
2. Not to disclose or provide copies to third parties without obtaining prior written permission from CTI Electronics.
3. To return all drawings and any copies on request.



PART NO. / LENGTH PCB ASSEMBLY NO.	LED'S	RIBBON COLORS USED
C9003-C50-12.0	NONE	12.0" RIBBON CABLE ONLY BROWN THRU YELLOW (4)
C9003-C50-S.S.	NONE	6 PIN SAMTEC INLINE SOCKET IN PLACE OF RIBBON CABLE
C9009-C50-S.S.	RED (ONE)	
C9009BG-C50-S.S.	GREEN (ONE)	
C9203-C50-12.0	NONE	10 CONDUCTOR SOCKET CRIMP TO RIBBON CABLE FOR RIBBON SEE A591604
C9209-C50-12.0	RED (ONE)	
C9209BG-C50-12.0	GREEN (ONE)	

COLOR	FUNCTION
BROWN	LEFT SW.
RED	MIDDLE SW.
ORANGE	RIGHT SW.
YELLOW	COMMON
GREEN	LED -
BLUE	LED +

CTI ELECTRONICS CORPORATION

110 Old South Ave, Stratford, CT 06615 - Tel 203 / 386-9779 - Fax 203 / 378-4986 - www.ctielectronics.com

TITLE:

C900X-MDUL-X.X

REV. F DATE: 08-19-09

APPROVED:

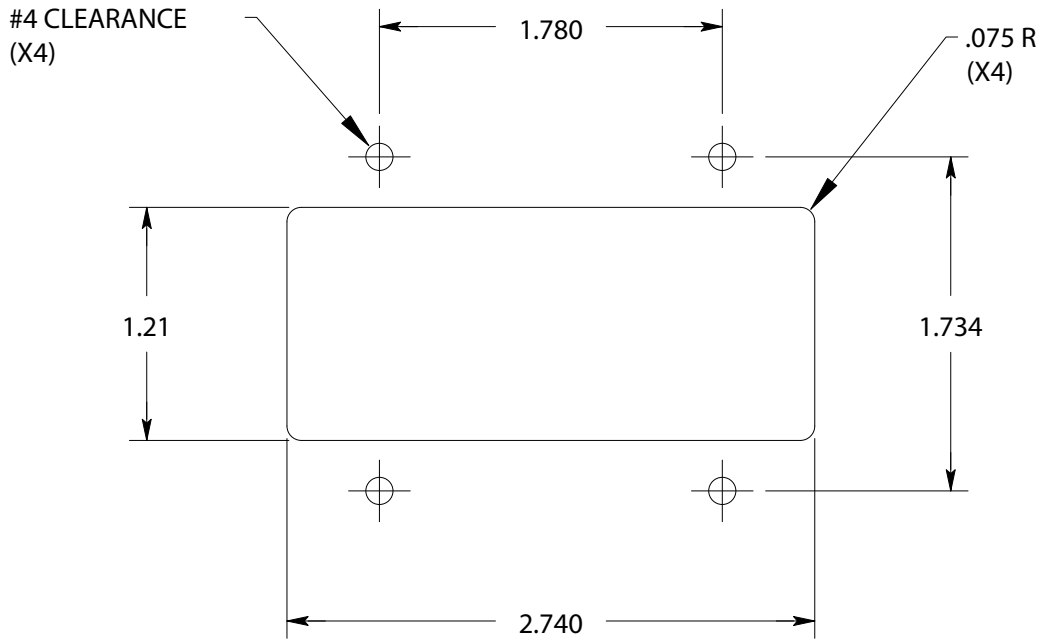
DRAWN:

VI / SJS

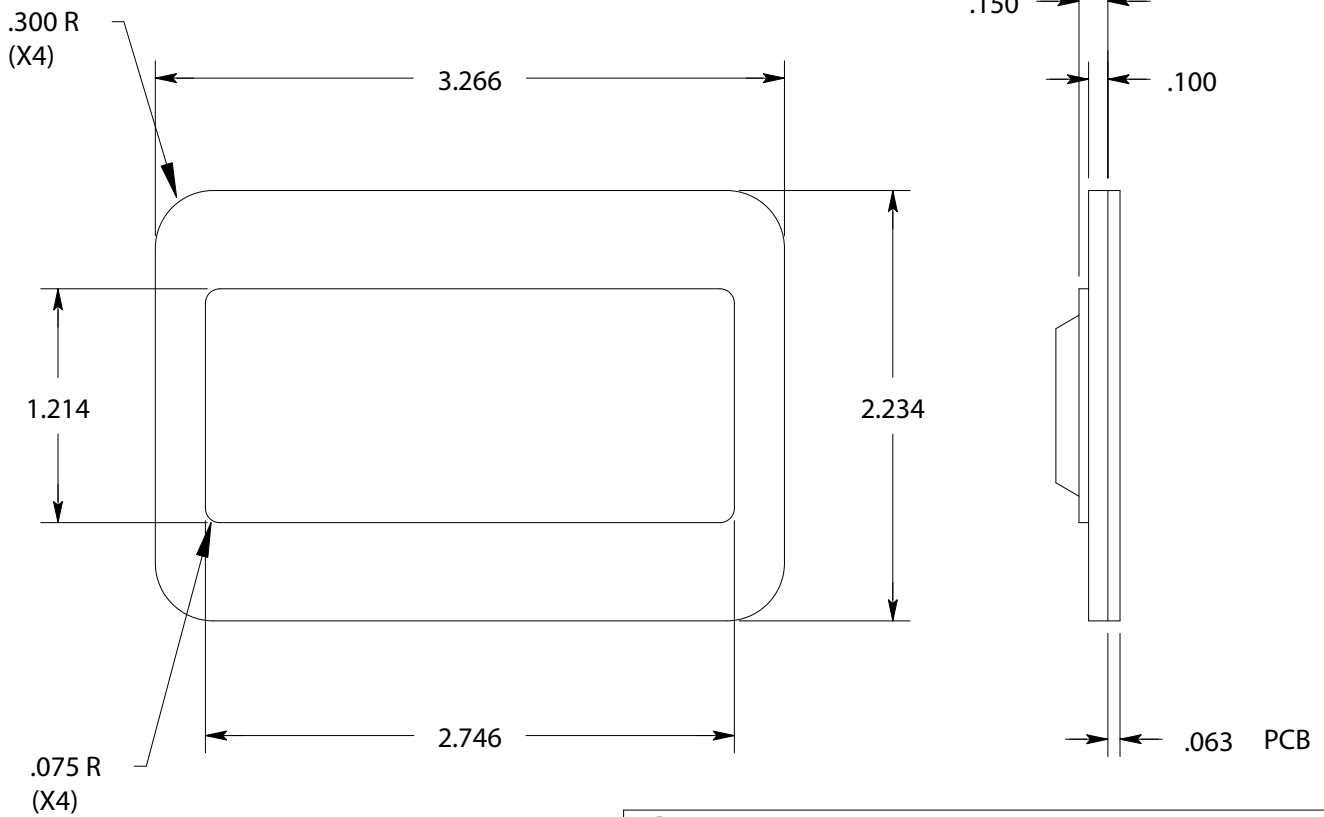
A 601618

Recipient agrees to the following:

1. To hold information in confidence.
2. Not to disclose or provide copies to third parties without obtaining prior written permission from CTI Electronics.
3. To return all drawings and any copies on request.



PANEL CUTOUT



KEYPAD DETAIL

CTI ELECTRONICS CORPORATION

110 Old South Ave, Stratford, CT 06615 - Tel 203 / 386-9779 - Fax 203 / 378-4986 - www.ctieletronics.com

TITLE:

C900X-MDUL-X.X

REV. F DATE: 08-19-09

APPROVED:

DRAWN:

VI / SJS

A 601618