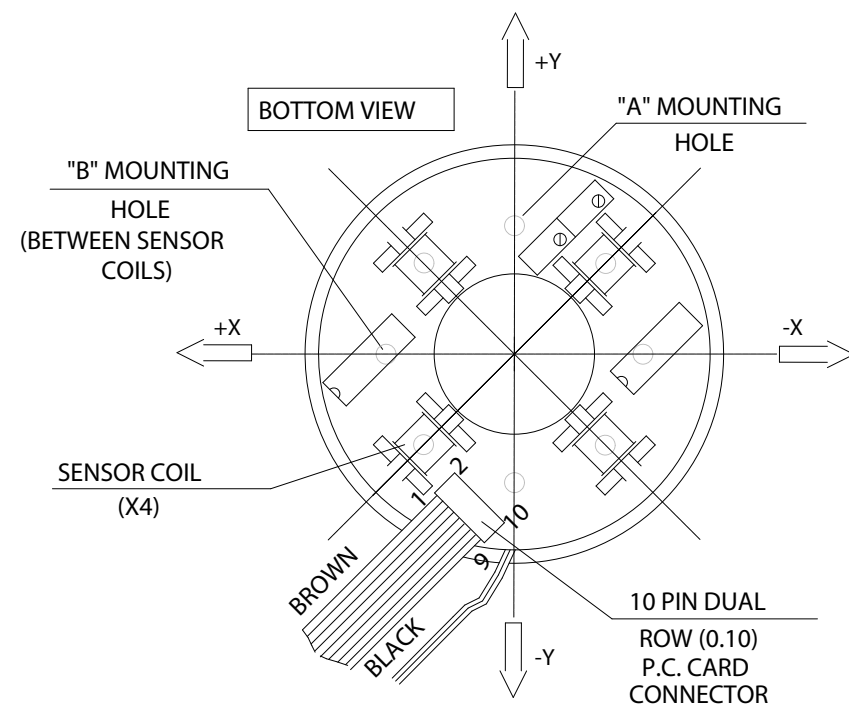
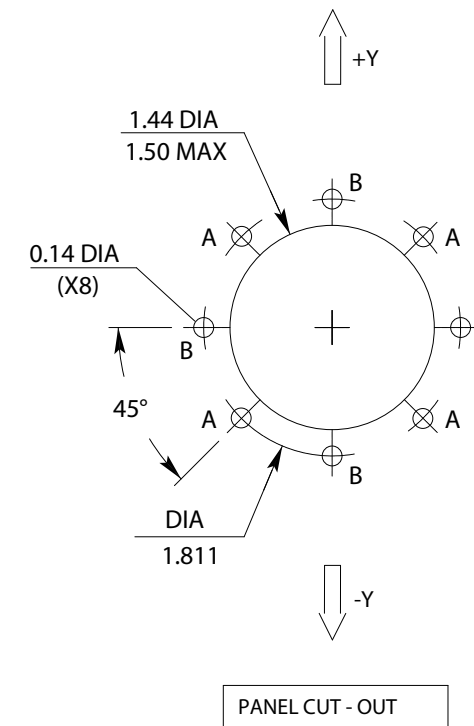
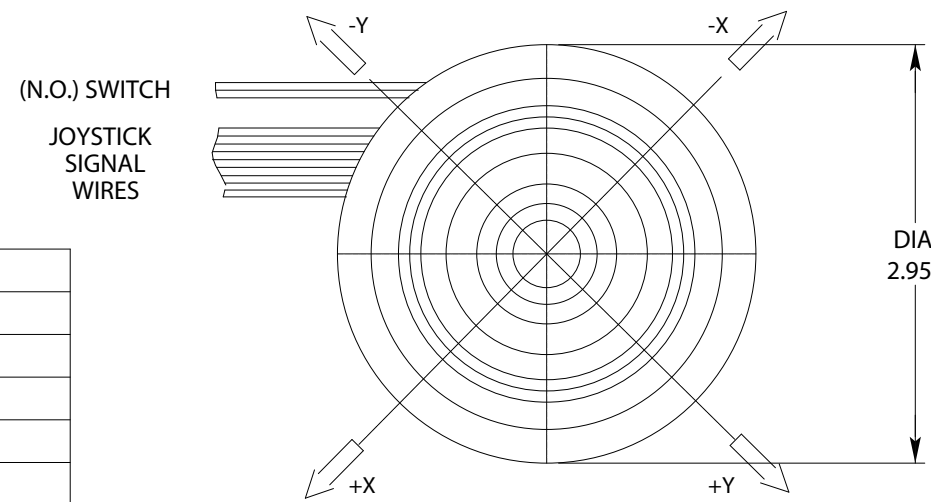
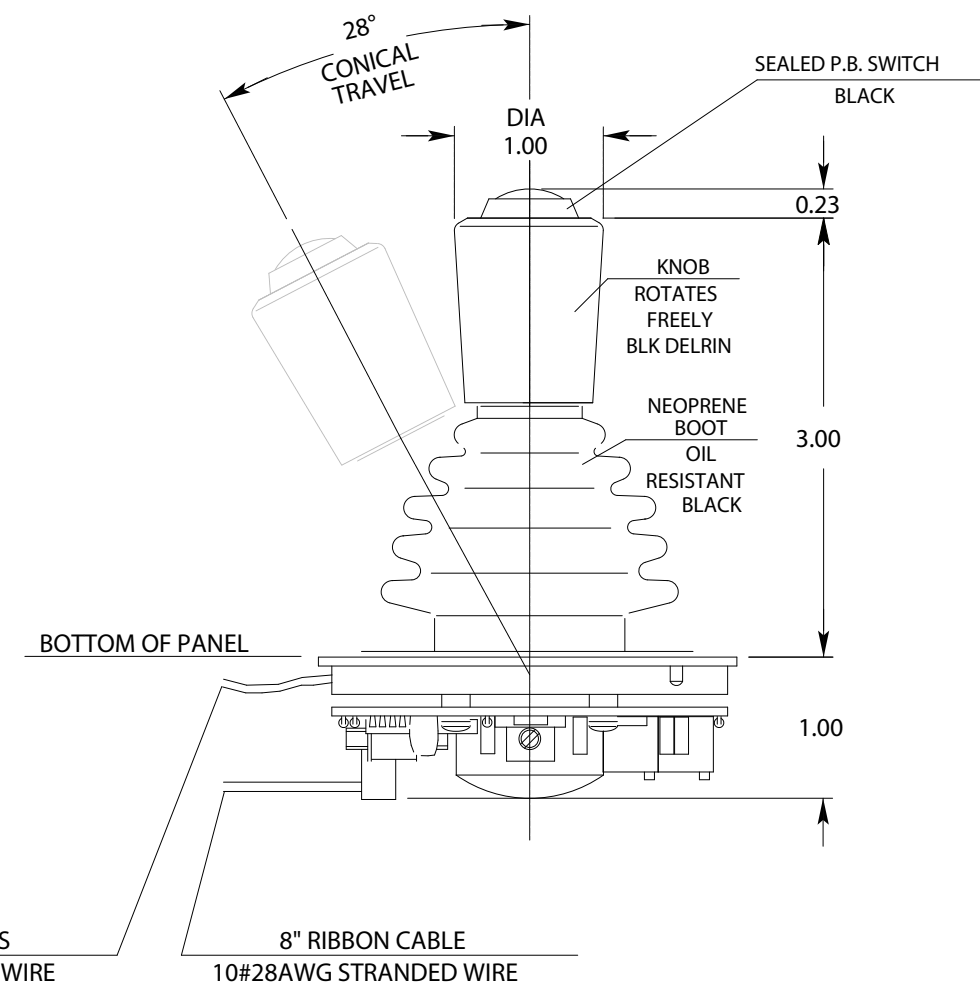


CONNECTOR WIRING:

PIN #	COLOR	FUNCTION
1 & 2	BRN/RED	POSITIVE SUPPLY
3 & 4	ORN/YEL	X - AXIS OUTPUT VOLT.
5 & 6	GRN/BLU	V REF (COMMON IF DUAL SUPPLY)
7 & 8	VIOL/GRY	Y - AXIS OUTPUT VOLT.
9 & 10	WHIT/BLK	NEG. SUPPLY (COMMON IF SINGLE SUPPLY)



"CAUTION"  
DO NOT REVERSE CONNECTOR



PANEL MOUNTING DETAIL:

1. USE #4-40, NON-MAGNETIC SCREWS. SCREWS SHOULD PROTRUDE .25 BELOW MOUNTING PLANE, BUT NOT MORE THAN .31 BELOW PANEL
2. MOUNTING FOR NEMA 4 (IP66), USE ALL 8 SCREWS (4 "A" AND "B" HOLES) FOR PROPER SEAL. IF NEMA 4 IS NOT REQUIRED THEN ONLY 4 SCREWS ARE NECESSARY (4 "A" HOLES) TO SECURE JOYSTICK.
3. MODEL NUMBERS H0000-N32 HAS APPROX. 5° DEADBAND  
MODEL NUMBERS H0000E-N32 NO DEADBAND
4. REFERENCE B761043 FOR ADDITIONAL DATA

<b>CTI</b> ELECTRONICS CORPORATION	
110 Old South Ave., Stratford, CT 06615 - Tel 203 / 386-9779 - Fax 203 / 378-4986 - www.ctielectronics.com	
TITLE: <b>MODEL H0000-N32</b>	
REV. cDATE: 02-02-05	<b>B 761226</b>
APPROVED: VI / SJS	