

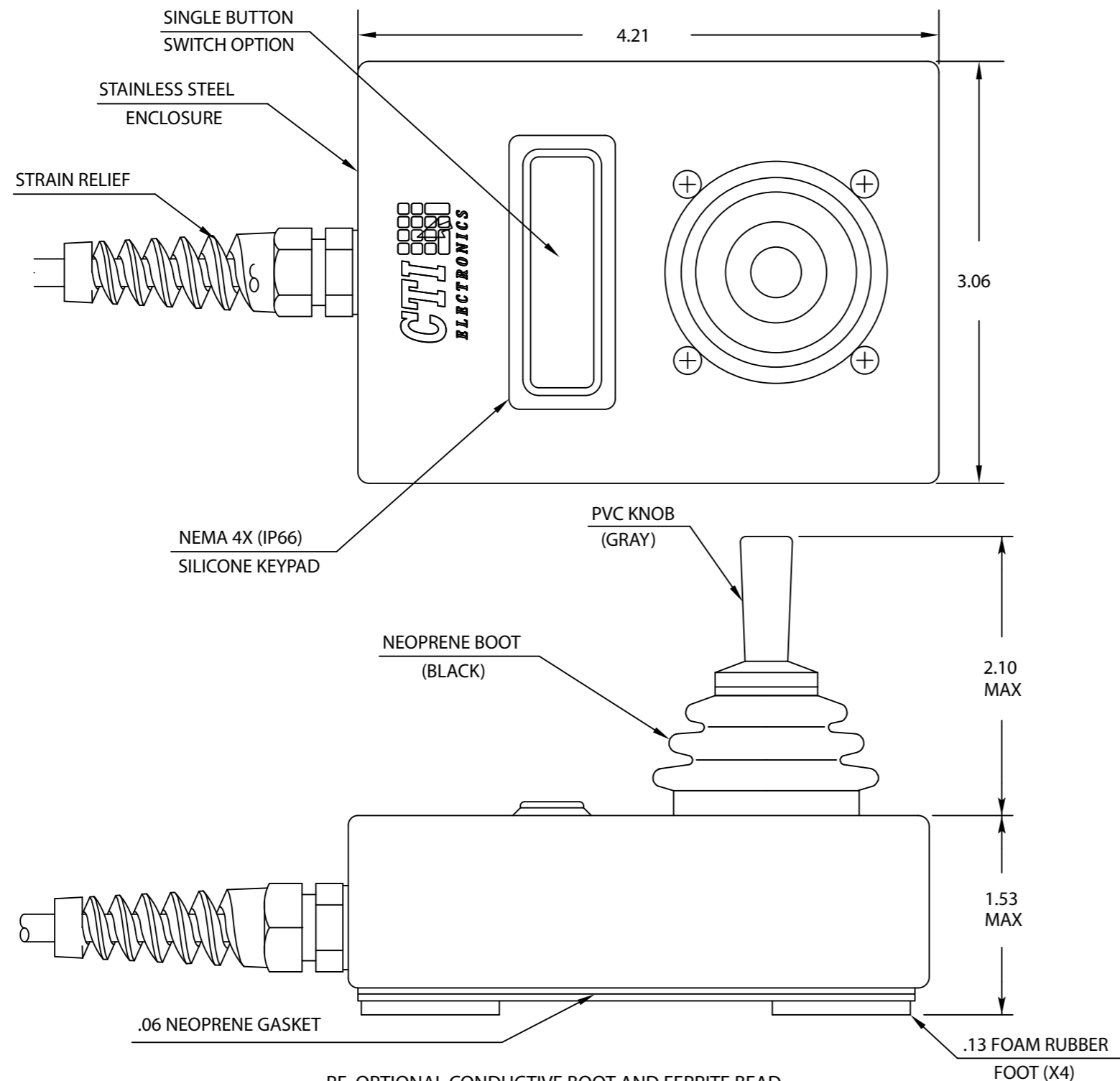
ORDERING INFORMATION:

- 0 STANDARD
- 1 OPTIONAL RS232 POWER ADAPTOR CABLE

- RF OPTIONAL CONDUCTIVE BOOT AND FERRITE BEAD
- Q RS232 OPTIONAL CABLE REF. B811610 (LEGACY)
- T OPTIONAL USB FLIGHT STICK PROGRAM (NON-MOUSE)
- W INDICATES OPTIONAL "W" TYPE BULKHEAD CONNECTOR
- [] THRU 5 INDICATES "W" CABLE LENGTH DIMENSION IN 1 FOOT INCREMENTS
- BLANK [] INDICATES DEFAULT CABLE LENGTH OF 6 FEET
- OPTIONS (BLANK INDICATES DEFAULT)
- 2B 2 BUTTON PS/2 MOUSE EMULATION (LEGACY)
- 3B 3 BUTTON PS/2 MOUSE EMULATION (DEFAULT)
- MSOF MICROSOFT SERIAL MOUSE (RS232) (LEGACY)
- KNOB OPTION (REF DWG. B761252)
- P PS/2 INTERFACE (6 PIN MINI DIN CONNECTOR, 9.5 FT. DEFAULT LENGTH)
- U USB INTERFACE (9.5 FT. DEFAULT LENGTH)
- 1 RS232 (REQUIRES EITHER A POWER ADAPTOR OR A "Q" CABLE OPTION, 6.0 FT. DEFAULT LENGTH)

M2 [] [] 9 [] [] - N [] - [] []

CTI ELECTRONICS CORPORATION		110 Old South Ave., Stratford, CT 06615 - Tel 203 / 386-9779 - Fax 203 / 378-4986 - www.ctielectronics.com	
TITLE:		CAGE CODE #OK9X9	
NEMA 4X HAND HELD INDUSTRIAL MOUSE (™)(IP66) M2XX9-NX SERIES			
REV. 1	DATE:	12-28-09	B761672 1 OF 2
APPROVED:	DRAWN:	VI / SJS	



ORDERING INFORMATION:

- RF OPTIONAL CONDUCTIVE BOOT AND FERRITE BEAD
- Q RS232 OPTIONAL CABLE REF. B811610 (LEGACY)
- T OPTIONAL USB FLIGHT STICK PROGRAM (NON-MOUSE)
- W INDICATES OPTIONAL "W" TYPE BULKHEAD CONNECTOR

[] THRU 5 INDICATES "W" CABLE LENGTH DIMENSION IN 1 FOOT INCREMENTS
 BLANK [] INDICATES DEFAULT CABLE LENGTH OF 6 FEET

M2 [] 1 [] - N [24] - []
 OPTIONS (BLANK INDICATES DEFAULT)

KNOB OPTION (REF DWG. B761252)

- P PS/2 INTERFACE (6 PIN MINI DIN CONNECTOR, 9.5 FT. DEFAULT LENGTH)
- U USB INTERFACE (9.5 FT. DEFAULT LENGTH)
- 1 RS232 (REQUIRES EITHER A POWER ADAPTOR OR A "Q" CABLE OPTION, 6.0 FT. DEFAULT LENGTH)

- 0 STANDARD
- 1 OPTIONAL RS232 POWER ADAPTOR CABLE

CTI ELECTRONICS CORPORATION	
110 Old South Ave., Stratford, CT 06615 - Tel 203 / 386-9779 - Fax 203 / 378-4986 - www.ctielelectronics.com	
TITLE:	CAGE CODE #OK9X9
NEMA 4X HAND HELD INDUSTRIAL MOUSE (™) (IP66) M2XX1-NX SERIES	
REV. 1	DATE: 12-28-09
APPROVED:	DRAWN: VI / SJS
B761672 2 OF 2	