

JOYSTICK ADDITIONAL FEATURES OPTION

[] BLANK INDICATES NO OPTIONS TO JOYSTICK

ORDERING INFORMATION:

M 2 [] 0 0 [] - N [] - K []
 OPTIONS (VOLTAGE INPUT/OUTPUT)
 KNOB OPTIONS (SEE PAGE 2 OF 2)
 0 - DUAL AXIS (DEFAULT)
 6 - SINGLE AXIS

JOYSTICK OPTIONS	
D	LOW TEMPERATURE RANGE (-40°C TO +80°C)
Z	CONFORMAL COATING ON PCB
RF	CONDUCTIVE BOOT AND FERRITE BEAD
G	MAXIMUM COMPRESSION SPRING
N	NEUTRAL SWITCH AVAILABLE ON +5V MODELS ONLY WITHOUT PUSH BUTTON SWITCH KNOB OPTIONS

	INPUT	V REF @ CENTER POSITION	OUTPUT
0	+12V	+6V	+3V TO +9V
2	±5V	0V	±5V
3		RESERVED	
4	+5V	+2.5 V	+0.5V TO +4.5 V
5	+5V	+2.5V	+0V TO +5V
6	±10V	0V	±10V
7	+10V	+5V	+1V TO +9V

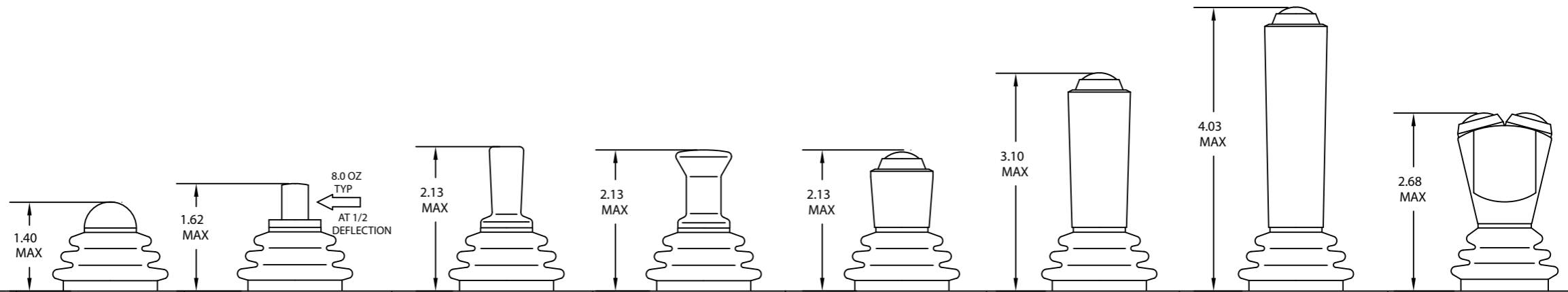
NOTES

- 1.) cable must be shielded. with conductors between 28 awg. to 20 awg, and a maximum outside diameter of 0.25".
- 2.) cable lengths recommend 10 ft. or less; otherwise analog filtering may be required.
- 3.) v ref. (pin 4) should only be used with short cables
- 4.) SOLDERED connections should have shrink tubing over pins or backshell should be filled with rtv.
- 5.) MOUNTING HOLDER OPTION REFERENCE DWG. 761227

CTI ELECTRONICS CORPORATION
 WWW.CTIELECTRONICS.COM

NEMA 4X (IP66)
 INDUSTRIAL MOTION CONTROLLER
 HAND HELD ANALOG JOYSTICK
 M2000-NX SERIES

761797 SHEET 1 OF 2 REV. **E**
 APPROVED DATE 08-03-12 DRAWN BY PSB



COLOR & MATERIAL	GRAY/PVC	GRAY/PVC	GRAY/PVC	GRAY/PVC	BLACK/ABS	BLACK/DELTRIN	BLACK/DELTRIN	BLACK/DELTRIN
KNOB & OPTION	N5	N2	N24	N54	N3	N33	N63	N34

NOTE

1. HEIGHT SHOWN IS FROM MOUNTING SURFACE ON NEOPRENE BOOT, REDUCE BY THE PANEL THICKNESS DIMENSION APPROXIMATE .05" WHEN INSTALLED IN AN ENCLOSURE AS SHOWN ON SHEET 1 OF 2
2. REFERENCE INDIVIDUAL JOYSTICK SPECIFICATION DRAWINGS FOR ADDITIONAL INFORMATION

PIN-OUT GUIDE

KNOB OPTIONS	N5 N2 N24 N54	N3 N33 N63	N34	N5 N2 N24 N54 N3 N33 N63 N34
VOLTAGE OPTIONS	K4 K5	K4 K5	K4 K5	K7 K0 K2 K6
PIN				
1	+5V	+5V	+5V	+10V
2	COMMON	COMMON	COMMON	COMMON
3	X OUT	X OUT	X OUT	X OUT
4	V REF	V REF	V REF	V REF
5	Y OUT	Y OUT	Y OUT	Y OUT
6	OPTIONAL NEUTRAL SWITCH	PUSH BUTTON SWITCH	LEFT PUSH BUTTON	(LEFT) PUSH BUTTON SWITCH
7			RIGHT PUSH BUTTON	RIGHT PUSH BUTTON SWITCH N34 ONLY
8	SHIELD	SHIELD	SHIELD	SHIELD

CTI ELECTRONICS CORPORATION
 WWW.CTIELECTRONICS.COM
 NEMA 4X (IP66)
 INDUSTRIAL MOTION CONTROLLER
 HAND HELD ANALOG JOYSTICK
 M2000-NX SERIES

761797 SHEET 2 OF 2
 APPROVED DATE 08-03-12

REV. **E**
 DRAWN BY
 PSB